

CALDWELL

SOLUTIONS THAT SET NEW STANDARDS

VERTICAL SLIDER FURNITURE MANUAL

31st Edition

INDEX

Key Features	1
Introduction	2
Sash Locks - Key Features	3
Sash Locks - Key Features Cont.	4
Sash Lock Keepers - Key Features	5
Sash Lock Keeper Matrix	6
Sash Lock and Keeper Matrix	7
Sash Lock & Keep Accessories	8
Sash Lifts / Hooks - Key Features	9
Brass Accessories	10
Tilt Latch Operating Knobs	11
'Acc's' available in Chrome finish	12
'Acc's' available in Dawn Gold finish	13
'Acc's' available in Brushed Steel finish	14
'Acc's' available in powder coated finish	15
'Acc's' available in Legrand Gold finish	16
820 Series Hardware Range	17
Tilt Latch Concealment Plates	18
BS7950 Security Products	19
Positions for BS7950 Hardware	20
Cleaning Instructions	21
Availability	
Applicable Standards	
Warranty Details	
Maintenance	22
Troubleshooting	23
Vertical Slider Furniture Order Form	24
Vertical Slider Furniture Order Form	25
Authorities	

KEY FEATURES

- SASH LOCKS AND KEEPS PROVIDE A SECURE LOCKING SYSTEM TO ALL TYPES OF VERTICAL SLIDING WINDOWS.
- SASH LIFTS, HOOKS AND POLE RINGS PROVIDE EASY OPERATION OF THE SASHES.
- TILT LATCH KNOBS PROVIDE A DECORATIVE APPEARANCE TO THE WINDOW AS WELL AS MAKING THE TILT LATCHES EASY TO OPERATE.
- MATCHING FINISHES AVAILABLE ON A RANGE OF HARDWARE.
- RANGE OF DESIGNS AVAILABLE OFFERING DIFFERENT APPEARANCES.

Caldwell Hardware (UK) Ltd

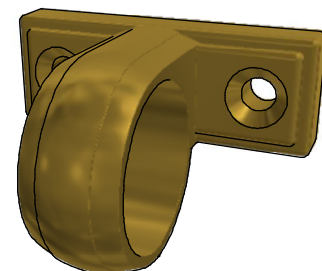
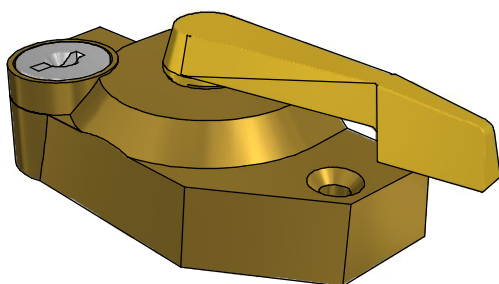
Herald Way,
Coventry,
CV3 2RQ.

Tel. 024 7643 7900

Fax. 024 7643 7969

Email: sales@caldwell.co.uk

Web Site: www.caldwell.co.uk



CALDWELL

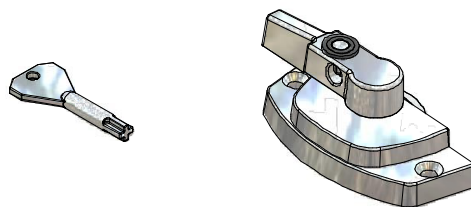
SOLUTIONS THAT SET NEW STANDARDS

Telephone 024 7643 7900

Introduction

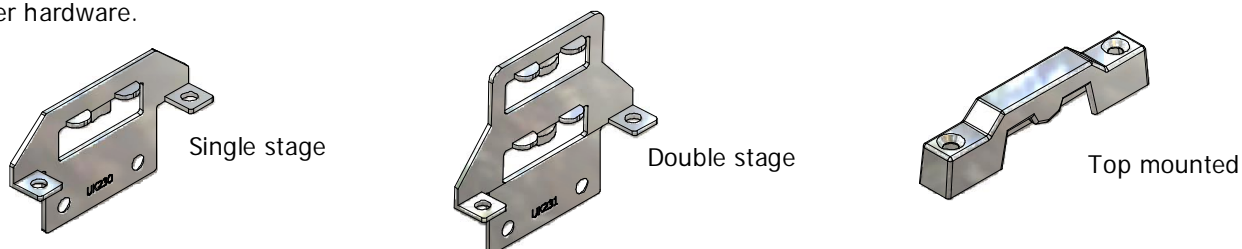
Sash Locks:

Caldwell's sash lock range each with their own individual characteristics, serve the vertical & horizontal sliding window. Each lock type is supported by a range of keeps, both standard & bespoke. The finish of the sash locks match the other decorative hardware on the window.



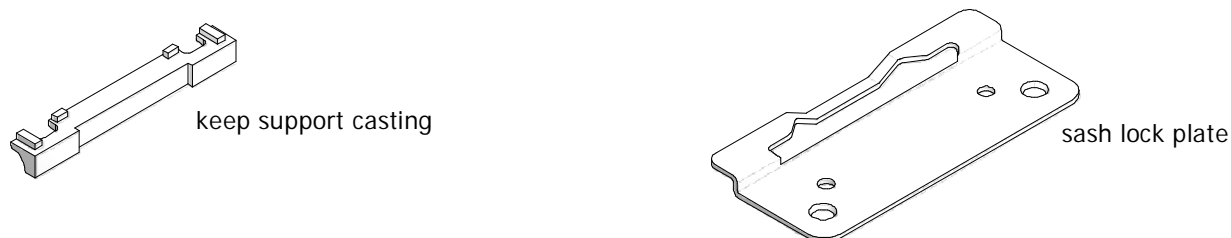
Sash Lock Keeps:

Caldwell's sash lock keeps provide an interlock for the sash lock. Keeps can either be top mounted or face fixed or a combination of both. A double stage keep can allow trickle ventilation. The finish of the keeps match the sash locks & other hardware.



Sash lock & keep accessories:

Accessories for the sash locks & keeps have been designed to add extra security to the window with the sash lock plate. Also a keep support casting is available for UPVC windows that use ovalo (curved) glazing beads



Sash lifts & hooks:

Sash lifts & hooks are fitted to the vertical sliding sashes to provide a method of operating the window as well as providing a decorative finish to the window. The finish of the sash lifts & hooks match the other decorative hardware on the window.



Tilt latch knobs:

The tilt latch knobs are suitable for use with the UK472 tilt latch only. Some of the knobs are bespoke to certain window profiles to make the window unique. The finishes are available to match the other hardware on the window.



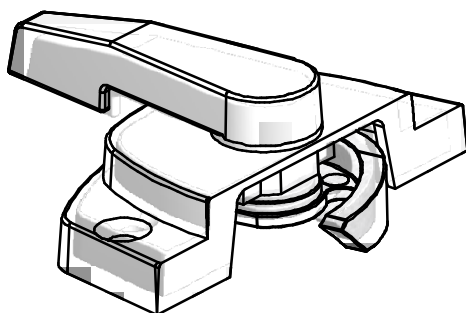
All of the information shown on this data sheet was correct at the time of issue. All information however is subject to change and therefore it is advisable to check with Caldwell Hardware to ensure that you have the latest issue level.

CALDWELL

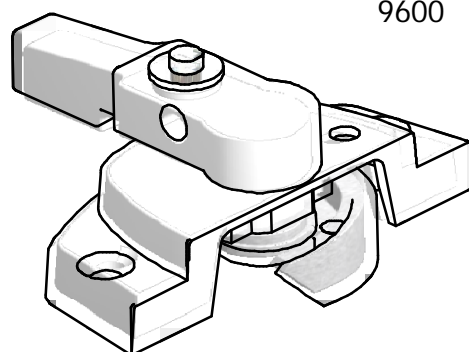
SOLUTIONS THAT SET NEW STANDARDS

SASH LOCKS - KEY FEATURES

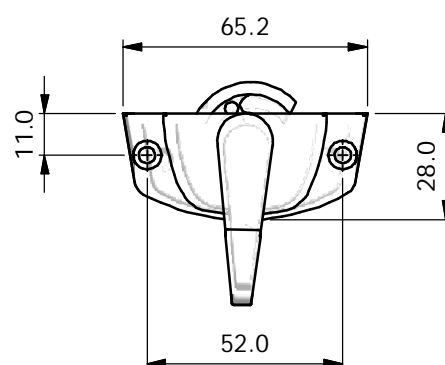
9400



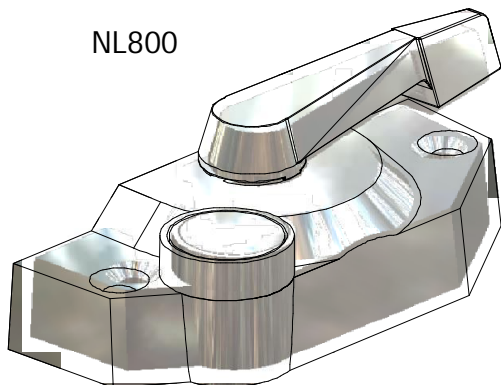
9600



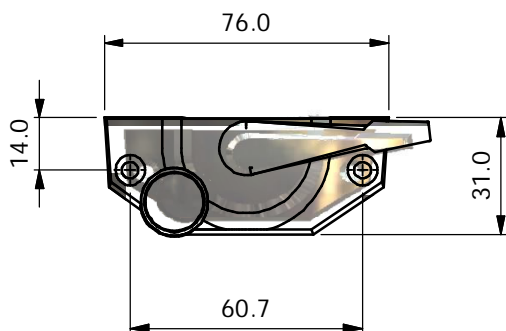
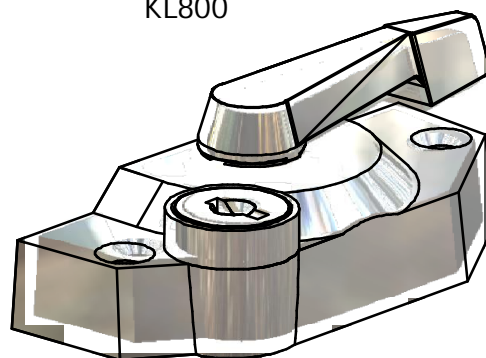
The 9400 & 9600 sash locks are one of the most popular designs, with a sweeping cam that allows the sash lock to pull the keep towards it and pushes the keep upwards for a good seal at the head and cill of the window. This helps to ensure a good weathertight seal on the meeting rail of the window as well as a secure lock.



NL800



KL800



As with the 9400 & 9600 sash locks, the 800 series sash locks are a popular design, with a sweeping cam that allows the sash lock to pull the keep towards it and pushes the keep upwards for a good seal at the head and cill of the window. The KL800 sash lock comes with a cylinder key lock for enhanced security and also comes with a spare key.

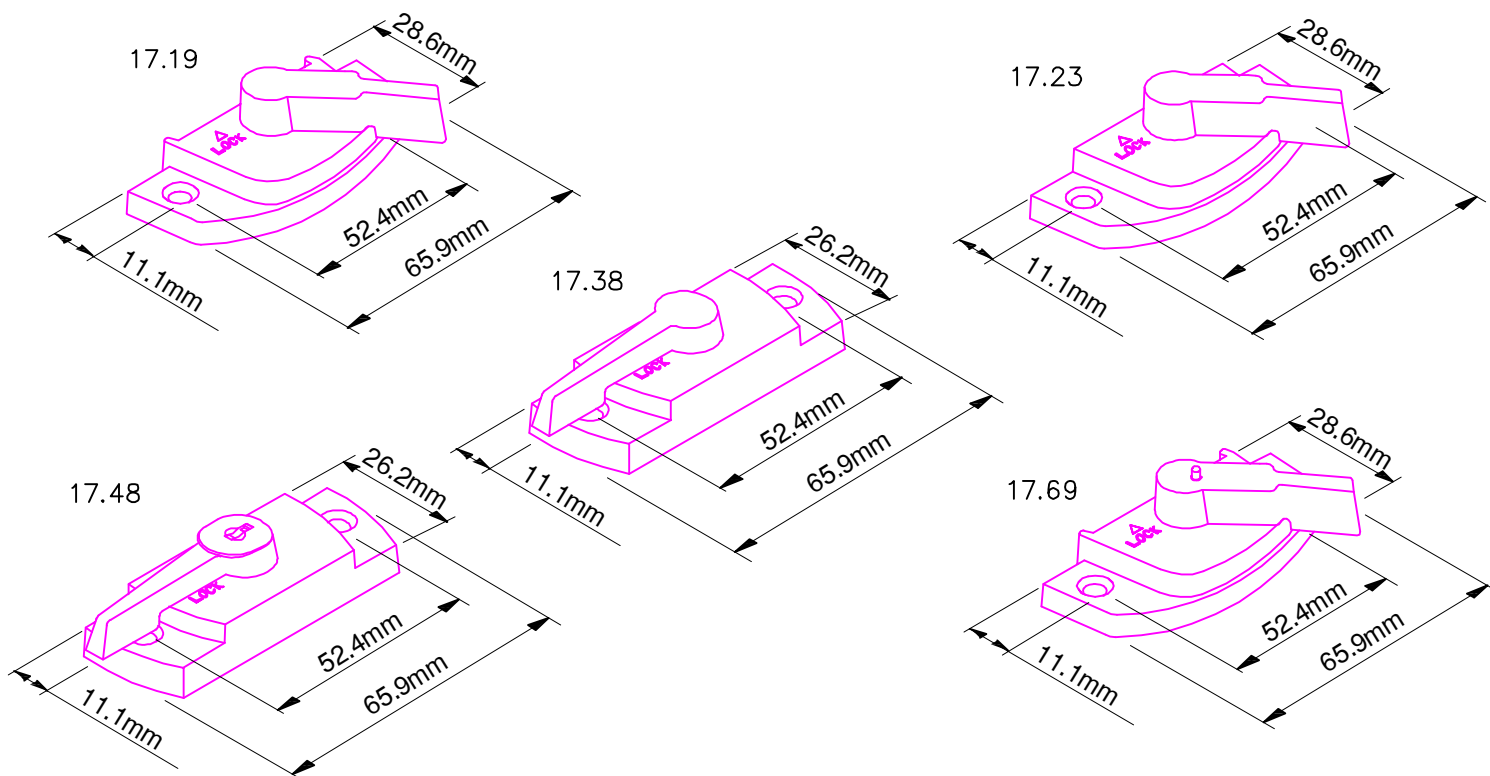
All of the information shown on this data sheet was correct at the time of issue. All information however is subject to change and therefore it is advisable to check with Caldwell Hardware to ensure that you have the latest issue level.

CALDWELL

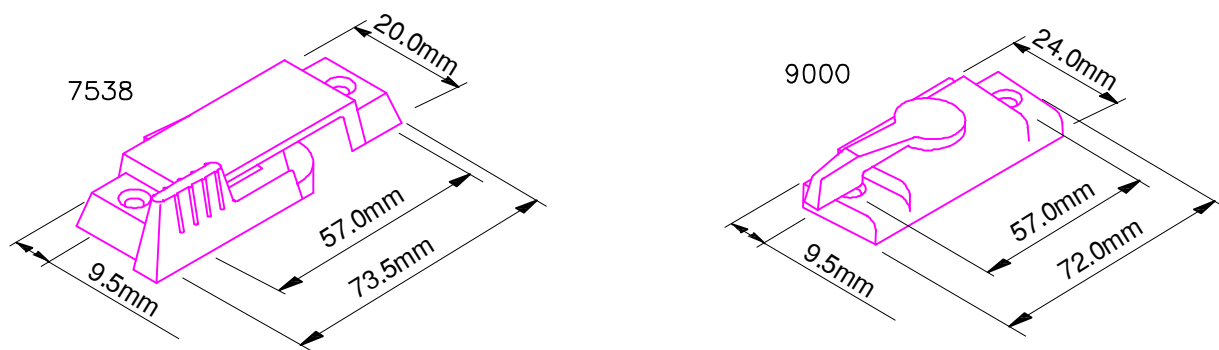
SOLUTIONS THAT SET NEW STANDARDS

Telephone 024 76437900

Sash Locks - Key Features Cont.



17 series Sash Locks provide a concealed locking mechanism which helps protect moving parts from dust and dirt for added lock life, while producing a better seal of the sash at the head and cill.



7538 & 9000 series sash locks have a streamlined low profile handle which folds snugly against the housing producing a clean appearance. These are particularly suited to slim profiles.

***NOTE* OTHER SASH LOCKS ALSO AVAILABLE, PLEASE CONTACT CALDWELL CUSTOMER SERVICES FOR ADVICE.**

All of the information shown on this data sheet was correct at the time of issue. All information however is subject to change and therefore it is advisable to check with Caldwell Hardware to ensure that you have the latest issue level.

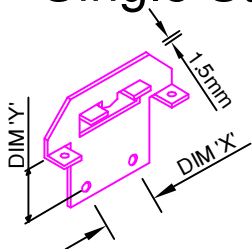
CALDWELL

SOLUTIONS THAT SET NEW STANDARDS

Telephone 024 76437900

Sash Lock Keeps - Key Features

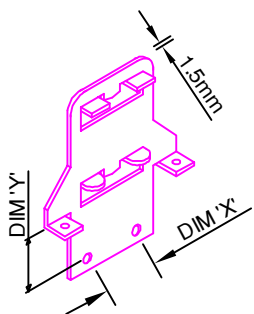
Single Stage Pressed Steel Keeps



Single stage keeps are manufactured from high quality steel. They offer strength and durability with face and top fixings into reinforcement which are ideal for the UK market (*UK698 has no top fix holes).

KEEPER	DIM 'X'	DIM 'Y'	HOLE SIZE
UK213	28mm	34.5mm	4.5mm
UK227	28mm	22.5mm	4.5mm
UK230	28mm	15.5mm	4.5mm
UK240	28mm	6.5mm	4.5mm
UK444	28mm	26.5mm	4.5mm
UK698*	28mm	34.5mm	5mm
UK757	12mm	31.5mm	4.5mm

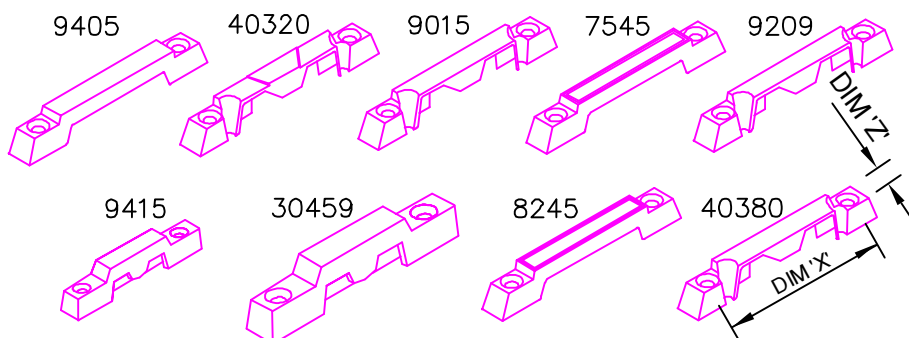
Double Stage Pressed Steel Keeps



Double stage keeps are manufactured from high quality steel and allow trickle ventilation helping to meet building regulations. They offer strength and durability with face and top fixings into reinforcement which are ideal for the UK market (*UK699 has no top fix holes).

KEEPER	DIM 'X'	DIM 'Y'	HOLE SIZE
UK214	28mm	34.5mm	4.5mm
UK229	28mm	30.5mm	4.5mm
UK231	28mm	15.5mm	4.5mm
UK445	28mm	26.5mm	4.5mm
UK699*	28mm	34.5mm	5mm
UK758	12mm	31.5mm	4.5mm

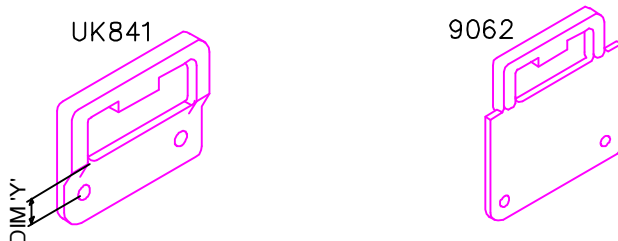
Top Mounted Cast Keeps



Top mounted keeps are an aesthetically pleasing solution which are top fixed only. Hole diameters are 4.0mm.

KEEPER	DIM 'X'	DIM 'Z'
9405	52.5mm	8.0mm
40320	52.0mm	8.0mm
9015	57.0mm	7.5mm
7545	57.0mm	8.5mm
9209	52.5mm	8.5mm
9415	52.5mm	11.5mm
30459	60.0mm	12.0mm
8245	57.0mm	8.5mm
40380	52.5mm	7.5mm

Face Mounted Cast Keeps



Used where space permits, face fixed only. Hole diameters are 3.5mm.

***NOTE* OTHER SASH LOCK KEEPS ALSO AVAILABLE, PLEASE CONTACT CALDWELL CUSTOMER SERVICES FOR ADVICE.**

KEEPER	DIM 'Y'
UK841	7.0mm
9062	25.0mm

All of the information shown on this data sheet was correct at the time of issue. All information however is subject to change and therefore it is advisable to check with Caldwell Hardware to ensure that you have the latest issue level.

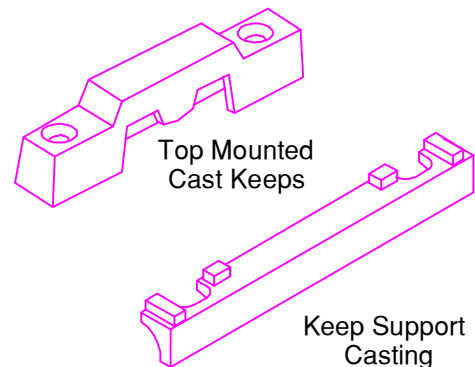
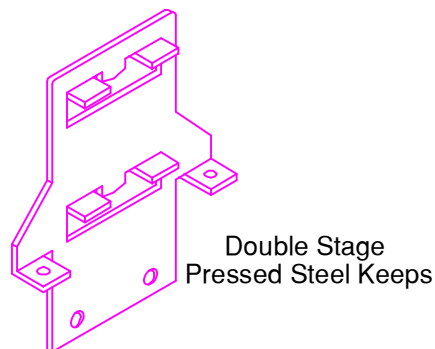
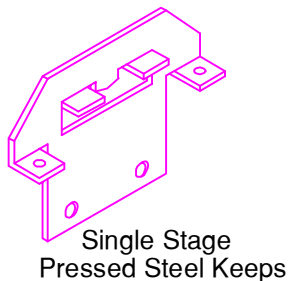
CALDWELL

SOLUTIONS THAT SET NEW STANDARDS

Telephone 024 7643 7900

Sash Lock Keep Matrix

Window System	Single Stage Pressed Steel Keeps								Double Stage Pressed Steel Keeps					Top Mounted Cast Keeps				Keep Support Castings		
	UK213	UK227	UK230	UK240	UK444	UK598	UK698	UK757	UK214	UK231	UK445	UK699	UK758	30459	40380	7545	9415	M00091	UK438	UK543
Alcoa System 80				✓																
Arden Kinward					✓					✓										
Clearview Aluminium										✓					✓		✓			
Conventional Timber										✓				✓			✓			
Deceuninck				✓						✓				✓			✓			
Duration		✓																		
Kawneer Alderly		✓																		
LB Plastics					✓						✓			✓			✓			
Magnet Sliding Sash PLUS				✓						✓				✓						
Nordal Aluminium																✓				
Plus Plan					✓						✓									✓
Plastmo					✓						✓			✓			✓			
Rehau 719					✓						✓			✓			✓			
Rehau Heritage MK1					✓						✓			✓			✓			✓
Rehau Heritage MK2	✓								✓					✓						✓
Spectus					✓			✓					✓	✓						
Timb-A-Tilt				✓						✓				✓						
Veka Matrix					✓						✓			✓			✓			
WHS Halo						✓			✓									✓		
Masterframe						✓			✓									✓		
Comar							✓					✓								



All of the information shown on this data sheet was correct at the time of issue. All information however is subject to change and therefore it is advisable to check with Caldwell Hardware to ensure that you have the latest issue level.

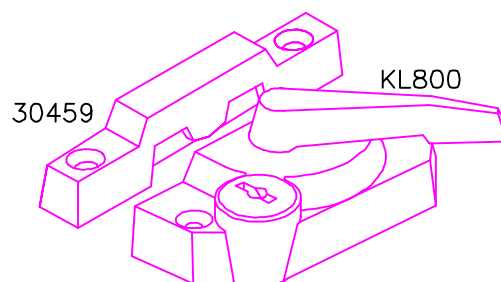
CALDWELL

SOLUTIONS THAT SET NEW STANDARDS

Telephone 024 76437900

Sash Lock and Keep Matrix

This matrix shows the compatibility between the sash locks and keeps. For instance a KL800 Sash Lock is compatible with the 30459 as well as other keeps.



KEEPS		SASH LOCKS					
		7538N	9400 9600	NL800 KL800	17.19 17.69	17.23	17.38 17.48
SINGLE STAGE PRESSED STEEL KEEPS	UK213		✓	✓			
	UK227		✓	✓			
	UK230		✓	✓			
	UK240		✓	✓			
	UK444		✓	✓			
	UK698		✓	✓			
	UK757		✓	✓			
DOUBLE STAGE PRESSED STEEL KEEPS	UK214		✓	✓			
	UK229		✓	✓			
	UK231		✓	✓			
	UK445		✓	✓			
	UK699		✓	✓			
	UK758		✓	✓			
TOP MOUNTED CAST KEEPS	7545	✓					
	8245	✓					
	9015						
	9209						
	9405		✓				
	9415		✓				
	30459			✓			
	40320				✓	✓	✓
	40380				✓	✓	✓
FACE MOUNTED CAST KEEPS	UK841	✓				✓	✓
	9062					✓	✓

It is recommended that both the sash lock and keep are fixed into reinforcement to ensure a secure fixing.

It is also recommended that one sash lock and keep should be fitted on windows under 800mm wide. Over 800mm wide 2 sash locks and keeps should be used.

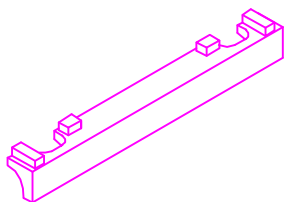
All of the information shown on this data sheet was correct at the time of issue. All information however is subject to change and therefore it is advisable to check with Caldwell Hardware to ensure that you have the latest issue level.

CALDWELL

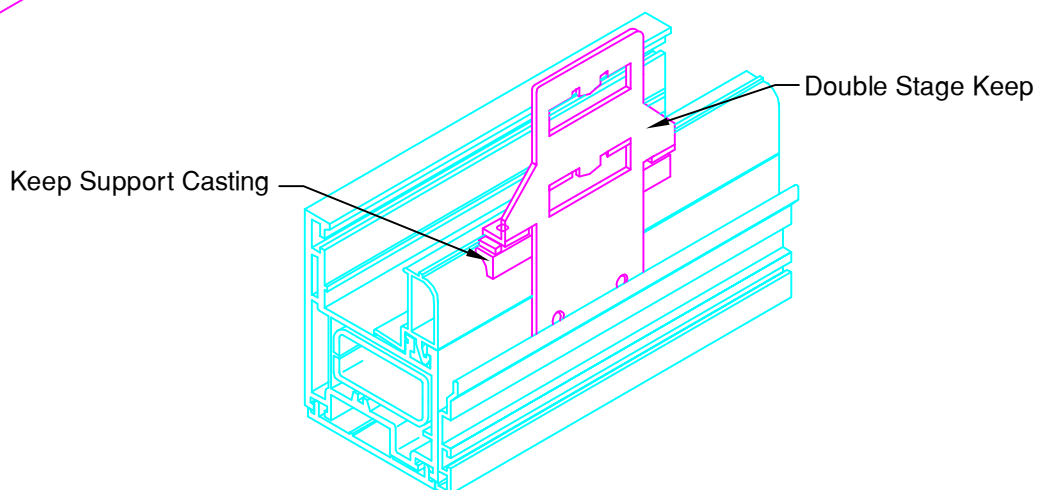
SOLUTIONS THAT SET NEW STANDARDS

Telephone 024 76437900

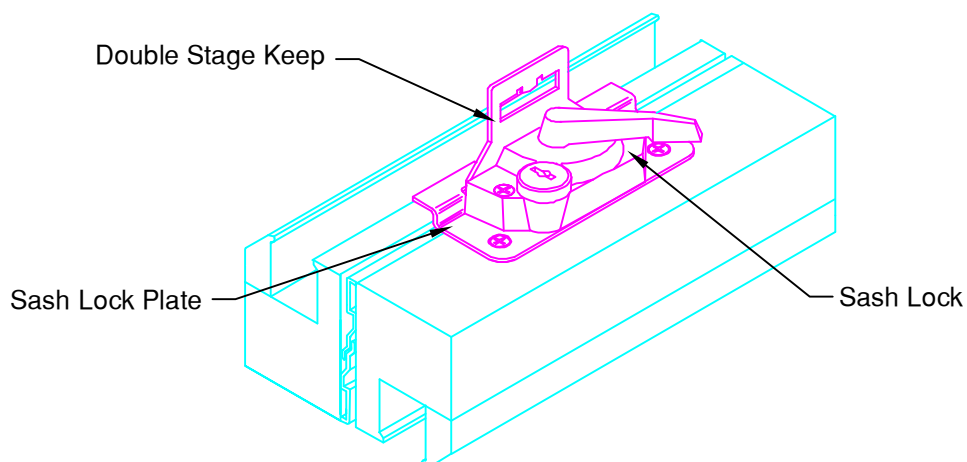
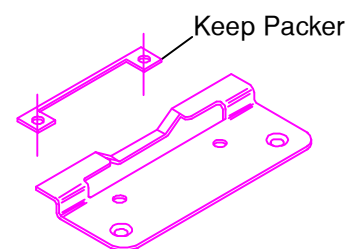
Sash Lock & Keep Accessories



Keep Support Castings are used to ensure the sash lock keeps fit onto ovalo sash beads. (For more information see DATASHT-00223).



The sash lock plate is used when extra security is required. The sash lock plate wraps around the 'pressed steel' keep to form a secure locking point. This prevents any lateral movement. The plate also has extra fixings to find reinforcement. The keep packer maybe required to line up the sash lock and keep.



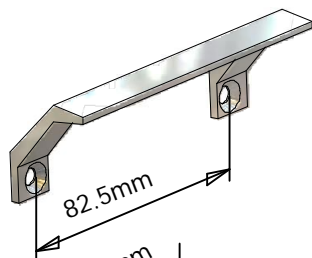
All of the information shown on this data sheet was correct at the time of issue. All information however is subject to change and therefore it is advisable to check with Caldwell Hardware to ensure that you have the latest issue level.

CALDWELL

SOLUTIONS THAT SET NEW STANDARDS

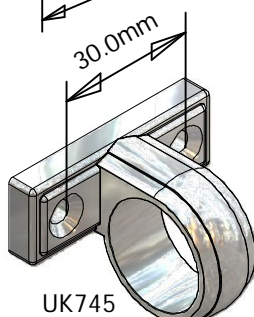
Telephone 024 7643 7900

Sash Lifts / Hooks - Key Features



8790 Sash Lift

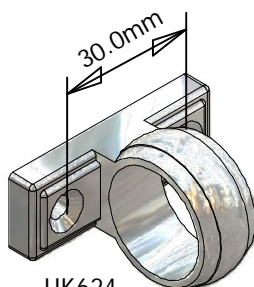
8790 sash lifts provide easy opening & closing of sliding sash windows while having a low profile. Provides a positive grip to the sash for ease of operation. Similar to a traditional D handle. Hole diameters are 4.5mm



UK745

UK624 & UK745 Sash Rings

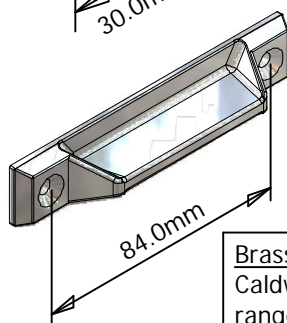
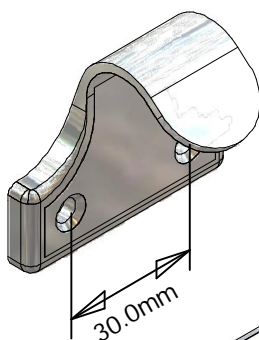
Traditional style. Pressure die cast for greater accuracy & consistency (superior to brass). Consistent hole centres. Similar decorative features to UK616. Hole diameters are 4.75mm. Only difference between UK624 & UK745 is the offset.



UK624

UK616 Sash Hook

Traditional style. Pressed steel for strength (superior to brass). Consistent hole centres (superior to brass). Similar decorative features to UK624. Hole diameters are 5.0mm.



7761 Sash Lift

7761 sash lifts provide easy opening & closing of sliding sash windows. The aesthetics are neat & low profile. They provide a very diverse range of applications. For example, use by the elderly. Full grip model. Hole diameters are 4.25mm.

Brass Hardware

Caldwell also offer a range of traditional cast brass hardware, see page 10

Note Other sash lifts & hooks are available. Please contact Caldwell customer services for advise.

All of the information shown on this data sheet was correct at the time of issue. All information however is subject to change and therefore it is advisable to check with Caldwell Hardware to ensure that you have the latest issue level.

CALDWELL

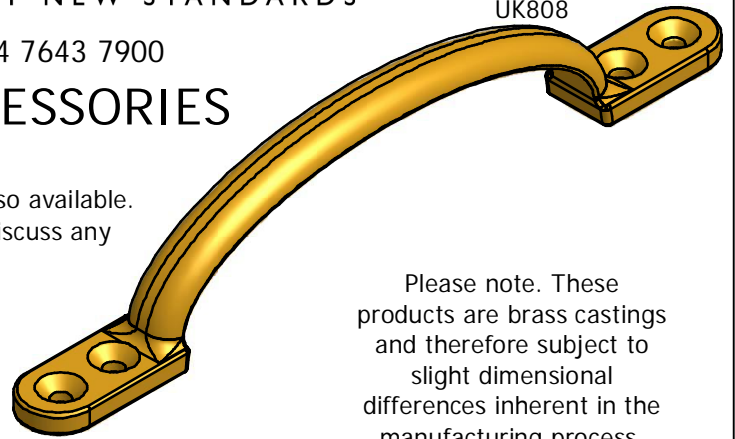
SOLUTIONS THAT SET NEW STANDARDS

Telephone 024 7643 7900

BRASS ACCESSORIES

Other brass accessories are also available.
Please contact Caldwell to discuss any requirements.

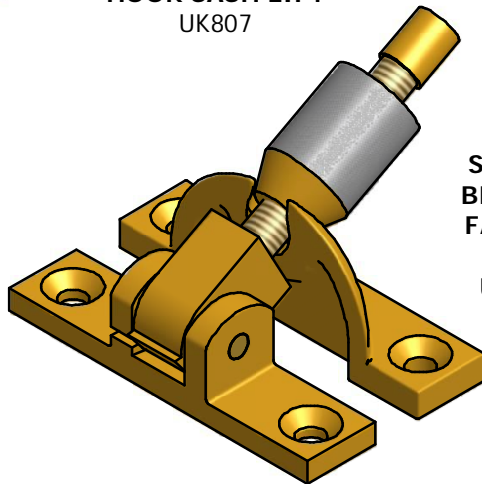
5" 'D' SASH HANDLE
UK808



Please note. These products are brass castings and therefore subject to slight dimensional differences inherent in the manufacturing process.



HOOK SASH LIFT
UK807

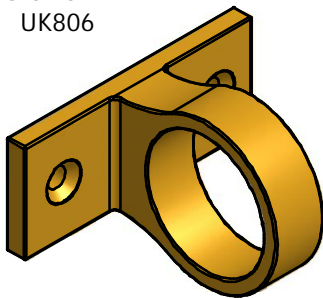


SLIMLINE
BRIGHTON
FASTENER
UK685
UK690CH

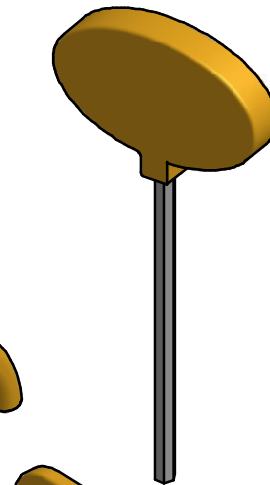
**PART NUMBER
SUFFIXES
FOR FINISHES**

LB = Lacquered Brass Suffix
CH = Chrome Suffix
BN = Brushed Nickel Suffix

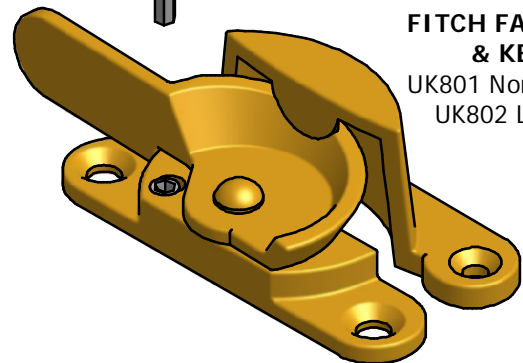
RING SASH LIFT
UK806



POLE HOOK
UK809



FITCH FASTENER
& KEEP
UK801 Non Locking
UK802 Locking



WEEKES CATCH
UK810



BALL CLAW
CATCH & KEEP
UK803 Non Locking
UK804 Locking

Caldwell's range of brass hardware is supplied in a lacquered finish. If this is to be used externally then it should be waxed weekly to protect the lacquered finish. Over time, and subject to the environment it operates within plus the type of use it undergoes, the lacquer coating will be eroded. When the lacquer coating is no longer present then the brass surface will need to be maintained with a propriety brass cleaner on a regular basis to maintain appearance and prevent visible corrosion.

All of the information shown on this data sheet was correct at the time of issue. All information however is subject to change and therefore it is advisable to check with Caldwell Hardware to ensure that you have the latest issue level.

CALDWELL

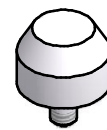
SOLUTIONS THAT SET NEW STANDARDS

Telephone 024 7643 7900

Tilt Latch Operating Knobs**All customers**

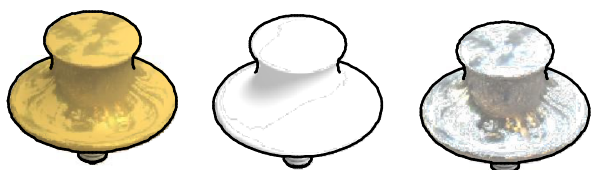
UK499ANSAT

SATIN ANODISED

**Masterframe/WHS Halo**

UK482ANSAT

SATIN ANODISED

**All customers**

UK545HIPCAWHITE

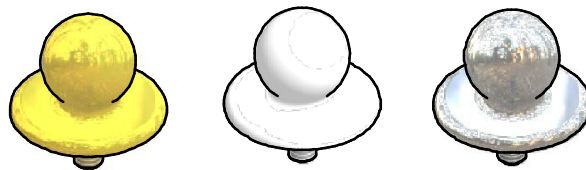
PC WHITE

UK545DG

DAWN GOLD FINISH

UK545CH

CHROME FINISH

**Masterframe**

UK479W

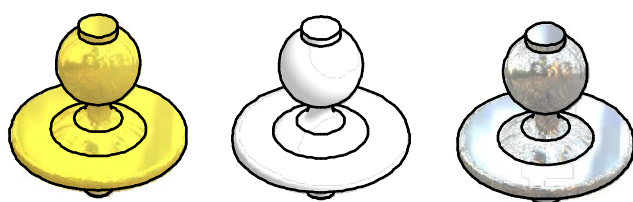
PC WHITE

UK479DG

DAWN GOLD FINISH

UK479CH

CHROME FINISH

**WHS Halo**

UK493HIPCAWHITE

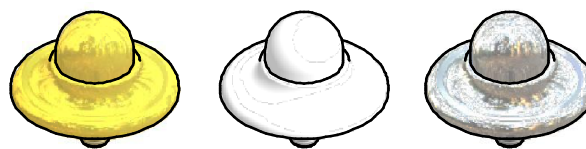
PC WHITE

UK493DG

DAWN GOLD FINISH

UK493CH

CHROME FINISH

**H.W. Plastics/Spectus**

UK498HIPCAWHITE

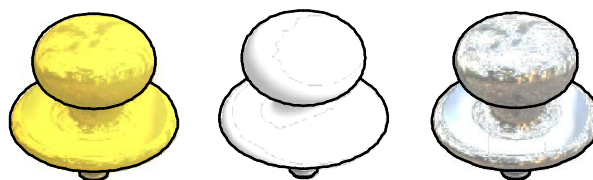
PC WHITE

UK498DG

DAWN GOLD FINISH

UK498CH

CHROME FINISH

**Rehau**

AVAILABLE FROM REHAU ONLY

UK654HIPCAWHITE

PC WHITE

UK654DG

DAWN GOLD FINISH

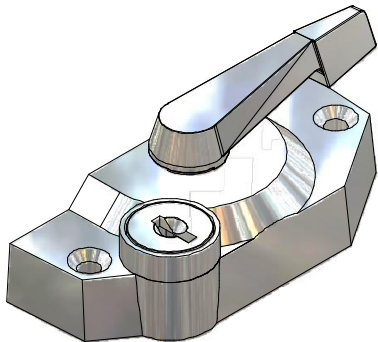
UK654CH

CHROME FINISH

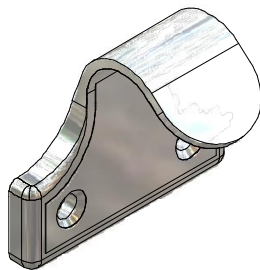
All of the information shown on this data sheet was correct at the time of issue. All information however is subject to change and therefore it is advisable to check with Caldwell Hardware to ensure that you have the latest issue level.

Telephone 024 7643 7900

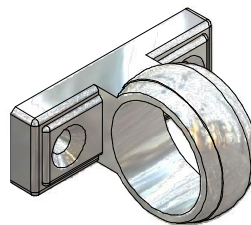
Accessories Available In Chrome Finish



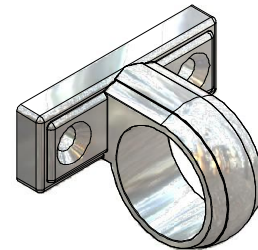
KL800CH Locking sash lock
(Key supplied with lock)
NL800CH Non locking sash lock



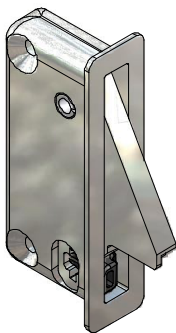
UK616CH Sash hook



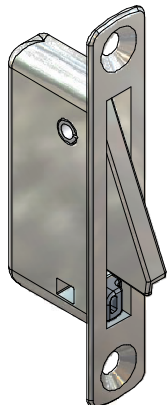
UK624CH Sash ring



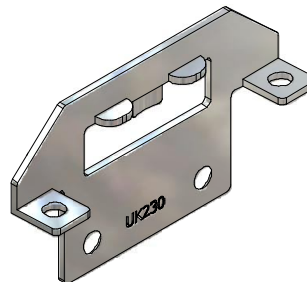
UK745CH Offset sash ring



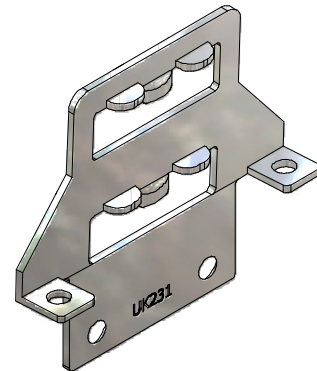
PE401CH Travel restrictor



PE633CH Travel restrictor



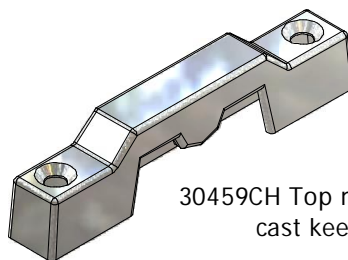
*UK230CH Single stage
pressed steel keep



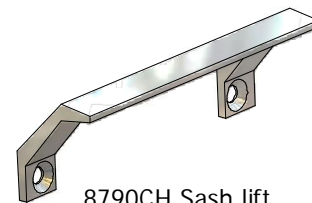
*UK231CH Double stage
pressed steel keep



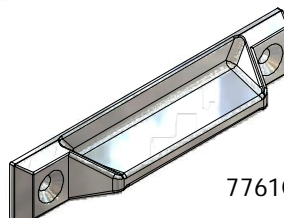
UK545CH Slide latch button



30459CH Top mounted
cast keep



8790CH Sash lift



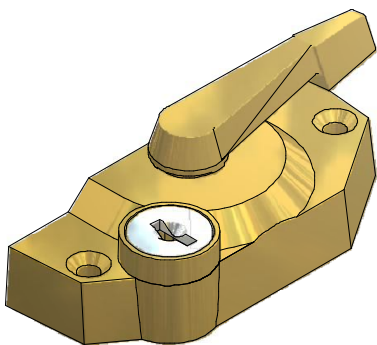
7761CH Sash lift

*The above keeps are shown as an example only,
most are available in this finish. Subject to
Minimum order quantities.

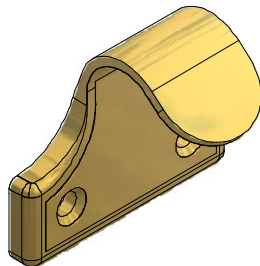
All of the information shown on this data sheet was correct at the time of issue.
All information however is subject to change and therefore it is advisable to check
with Caldwell Hardware to ensure that you have the latest issue level.

Telephone 024 7643 7900

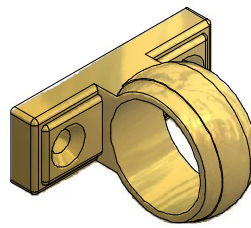
Accessories Available In Dawn Gold Finish



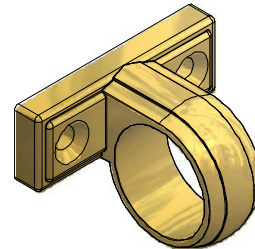
KL800DG Locking sash lock
(Key supplied with lock)
NL800DG Non locking sash lock



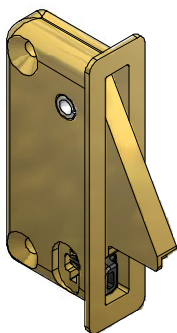
UK616DG Sash hook



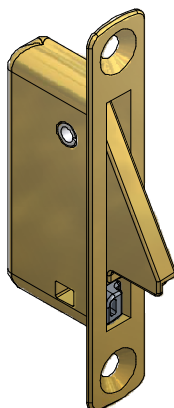
UK624DG Sash ring



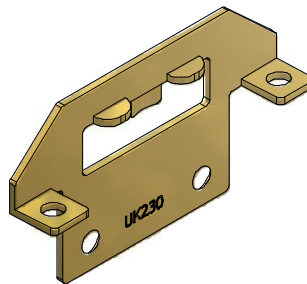
UK745DG Offset sash ring



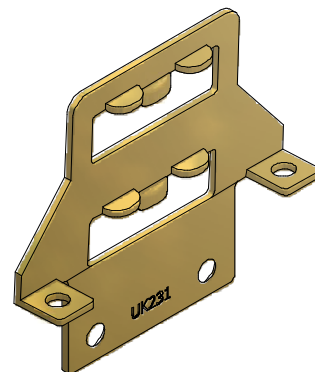
PE401DG Travel restrictor



PE633DG Travel restrictor



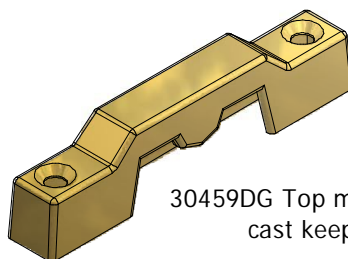
*UK230DG Single stage
pressed steel keep



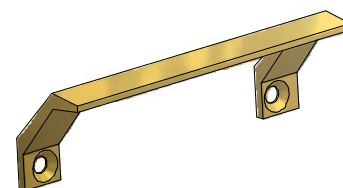
*UK231DG Double stage
pressed steel keep



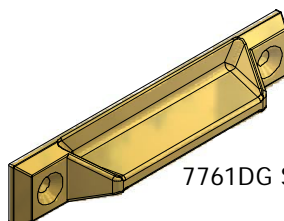
UK545DG Slide latch button



30459DG Top mounted
cast keep



8790DG Sash lift

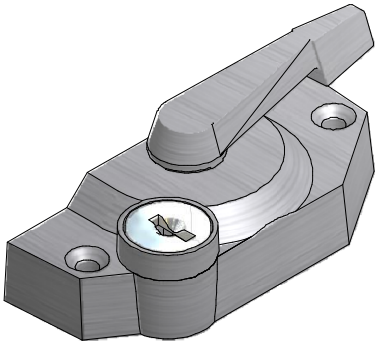


7761DG Sash lift

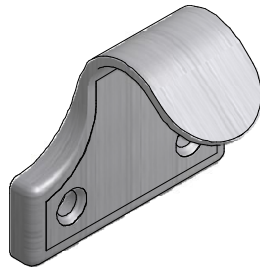
*The above keeps are shown as an example only,
most are available in this finish. Subject to
Minimum order quantities.

All of the information shown on this data sheet was correct at the time of issue.
All information however is subject to change and therefore it is advisable to check
with Caldwell Hardware to ensure that you have the latest issue level.

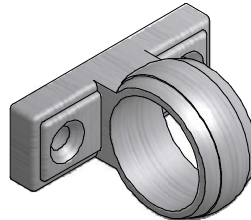
Accessories Available In Brushed Steel Finish



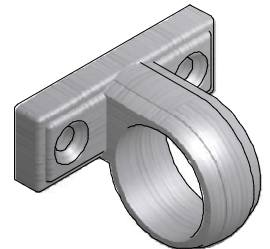
KL800BS Locking sash lock
(Key supplied with lock)



UK616BS Sash hook

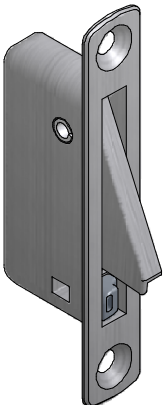


UK624BS Sash ring

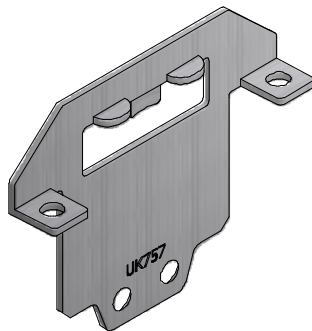


UK745BS Offset sash ring

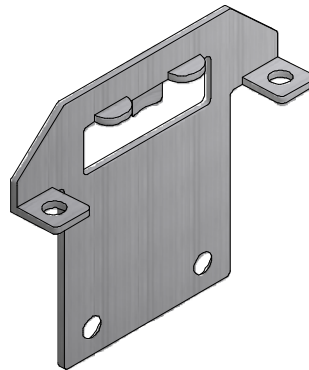
*The pressed keeps below are shown as examples only. Most pressed keeps are available in this finish, subject to minimum order quantities.



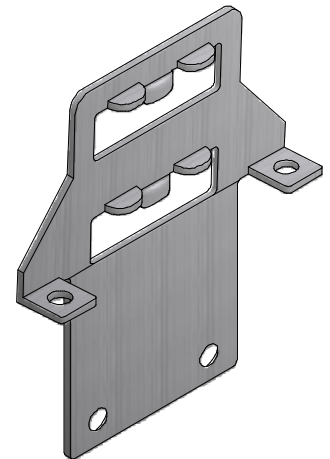
PE633BS Travel restrictor



UK757BS Single stage
pressed steel keep



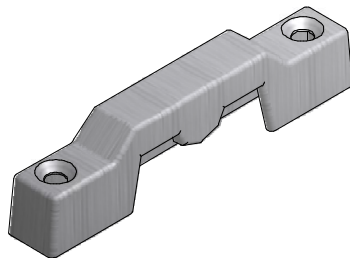
UK213BS Single stage
pressed steel keep



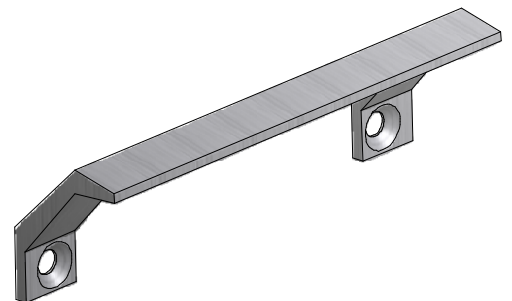
UK214BS Double stage
pressed steel keep



UK545BS Slide latch button



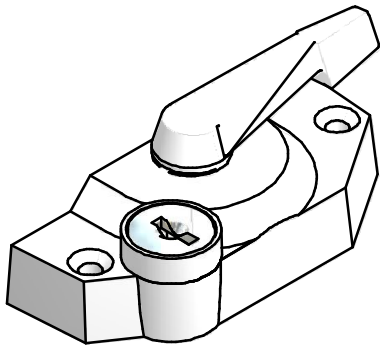
30459BS Top mounted
cast keep



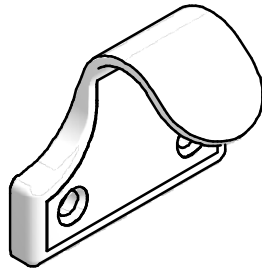
8790BS Sash lift

All of the information shown on this data sheet was correct at the time of issue. All information however is subject to change and therefore it is advisable to check with Caldwell Hardware to ensure that you have the latest issue level.

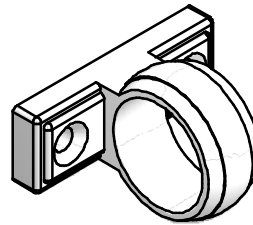
Accessories Available In Powder Coated Finish



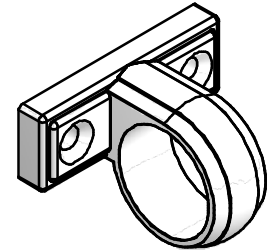
KL800W Locking sash lock
(Key supplied with lock)
NL800CH Non locking sash lock



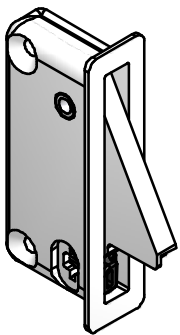
UK616HIPCAWHITE Sash hook



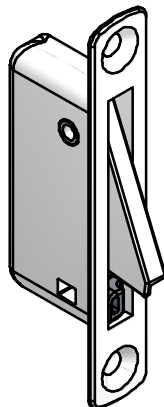
UK624HIPCAWHITE
Sash ring



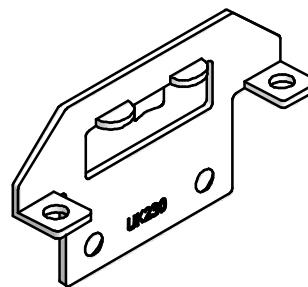
UK745HIPCAWHITE
Offset sash ring



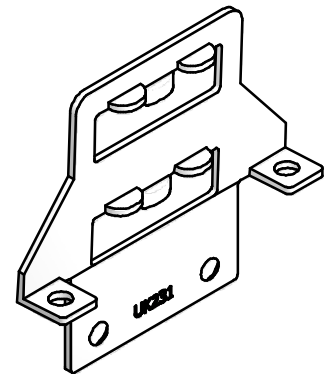
PE401HIPCAWHITE
Travel restrictor



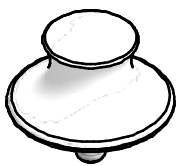
PE633HIPCAWHITE
Travel restrictor



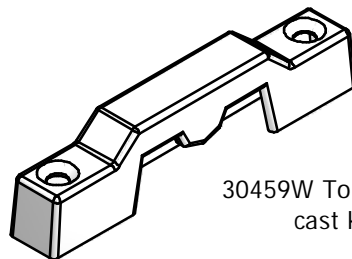
*UK230W Single stage
pressed steel keep



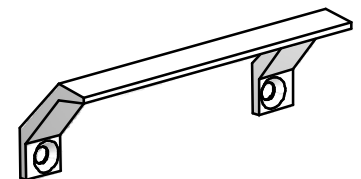
*UK231W Double stage
pressed steel keep



UK545HIPCAWHITE
Slide latch button

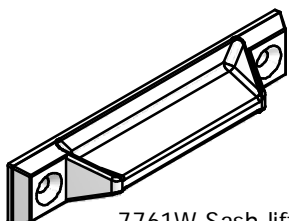
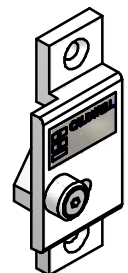


30459W Top mounted
cast keep



8790W Sash lift

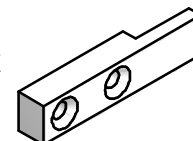
202RHIPCAWHITE - RH
202LHIPCAWHITE - LH
Restrictor



7761W Sash lift

*The above keeps are shown as an example only, most are available in this finish. Subject to Minimum order quantities. Product codes shown are for white however other colours are available.

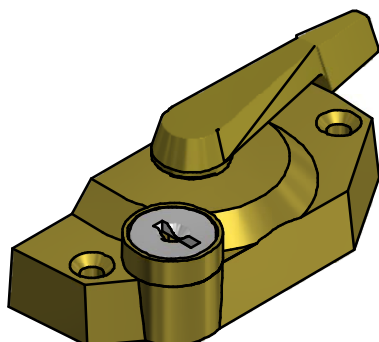
20232HIPCAWHITE
Keeper



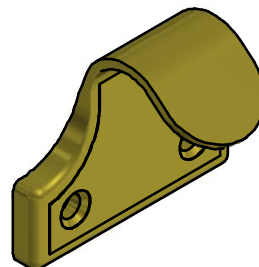
All of the information shown on this data sheet was correct at the time of issue. All information however is subject to change and therefore it is advisable to check with Caldwell Hardware to ensure that you have the latest issue level.

Telephone 024 7643 7900

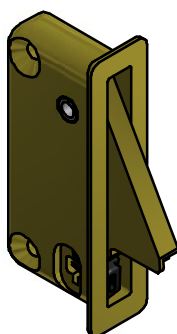
Accessories Available In Legrand Gold Finish



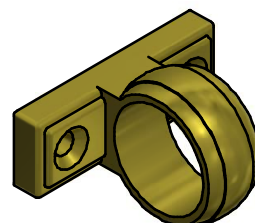
KL800RN Locking sash lock
(Key supplied with lock)
NL800RN Non locking sash lock



UK616RN
Sash hook



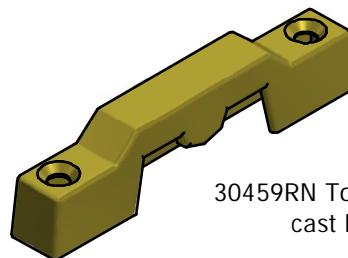
PE401NRN
Travel restrictor



UK624RN
Sash ring



UK545RN
Slide latch button



30459RN Top mounted
cast keep

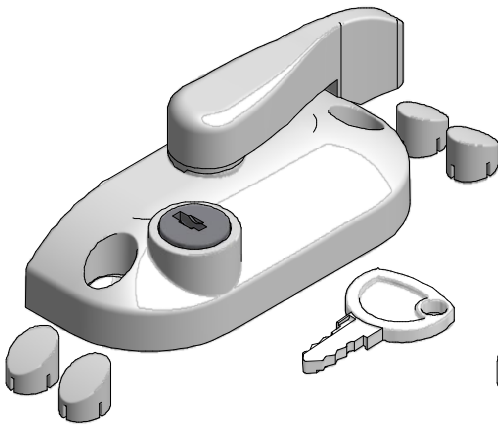
All of the information shown on this data sheet was correct at the time of issue. All information however is subject to change and therefore it is advisable to check with Caldwell Hardware to ensure that you have the latest issue level.

CALDWELL

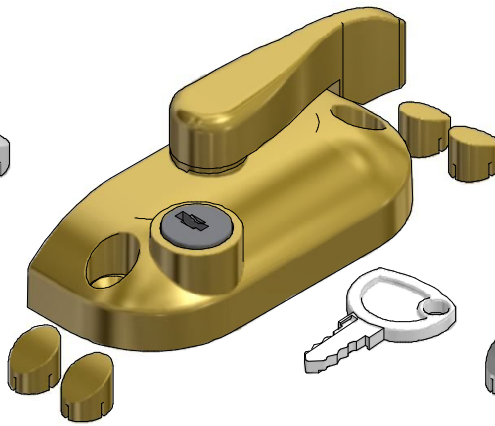
SOLUTIONS THAT SET NEW STANDARDS

Telephone 024 7643 7900

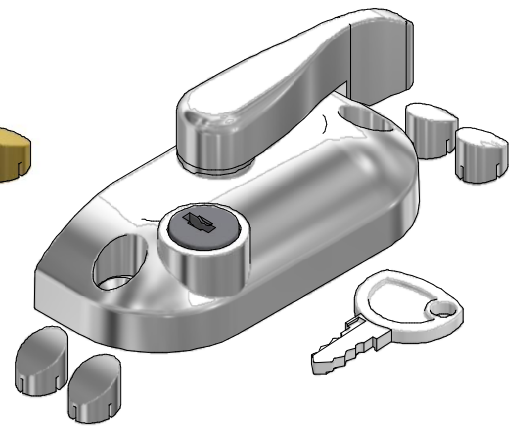
820 Series Hardware Range



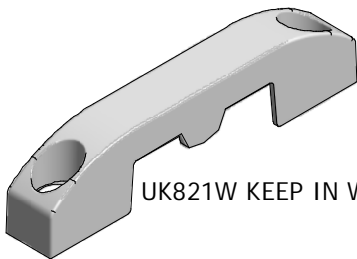
UK820W SASH LOCK IN WHITE
C/W BUNGS AND KEY



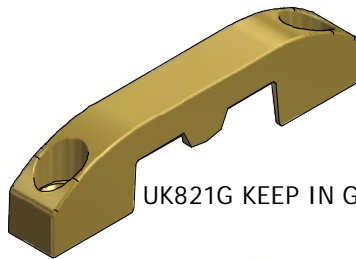
UK820G SASH LOCK IN GOLD
C/W BUNGS AND KEY



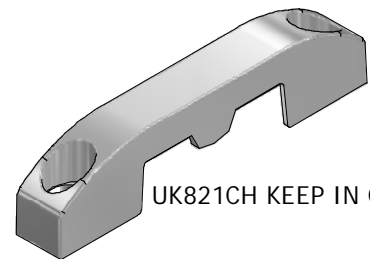
UK820CH SASH LOCK IN CHROME
C/W BUNGS AND KEY



UK821W KEEP IN WHITE



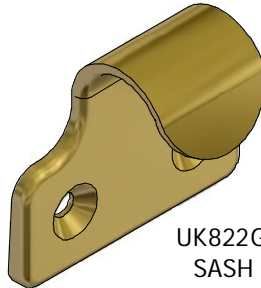
UK821G KEEP IN GOLD



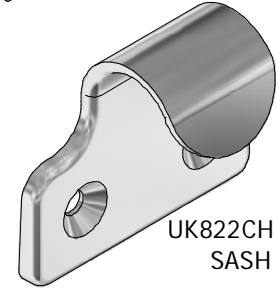
UK821CH KEEP IN CHROME



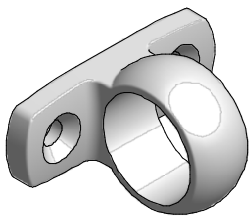
UK822W WHITE
SASH HOOK



UK822G GOLD
SASH HOOK



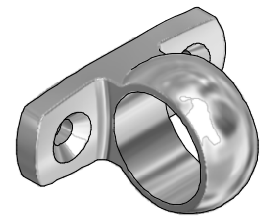
UK822CH CHROME
SASH HOOK



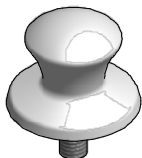
UK823W WHITE POLE RING



UK823G GOLD POLE RING



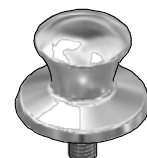
UK823CH CHROME POLE RING



UK824W WHITE
TILT LATCH KNOB



UK824G GOLD
TILT LATCH KNOB



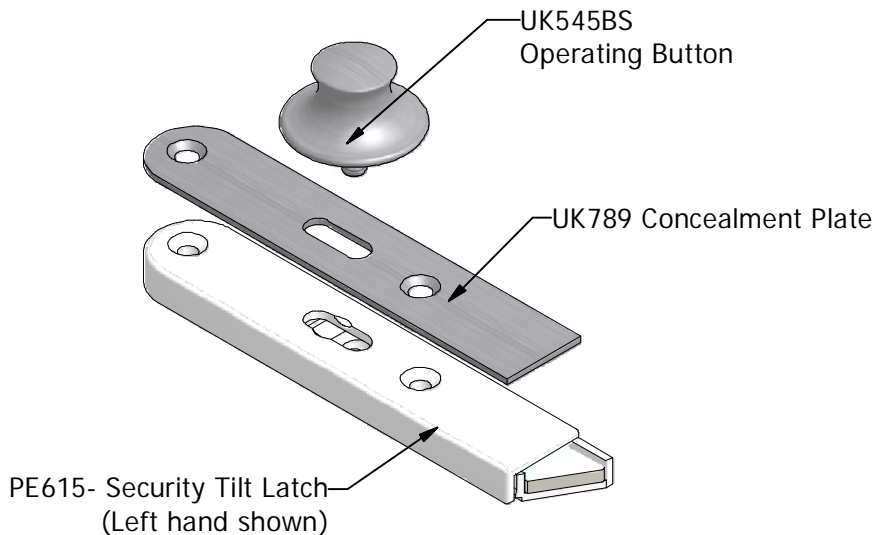
UK824CH CHROME
TILT LATCH KNOB

MINOR VARIANCES IN SHADE AND COLOUR MAY ON OCCASION BE EVIDENT ON THIS RANGE OF HARDWARE

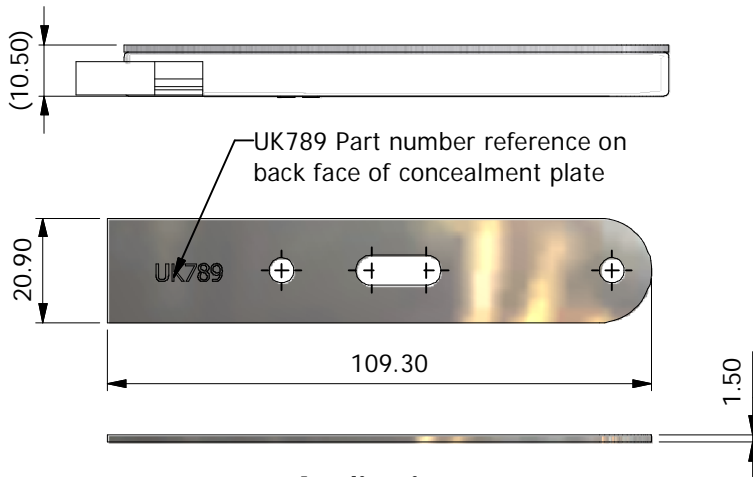
All of the information shown on this data sheet was correct at the time of issue.
All information however is subject to change and therefore it is advisable to check
with Caldwell Hardware to ensure that you have the latest issue level.

Tilt latch Concealment Plates

Typical Assembly Example



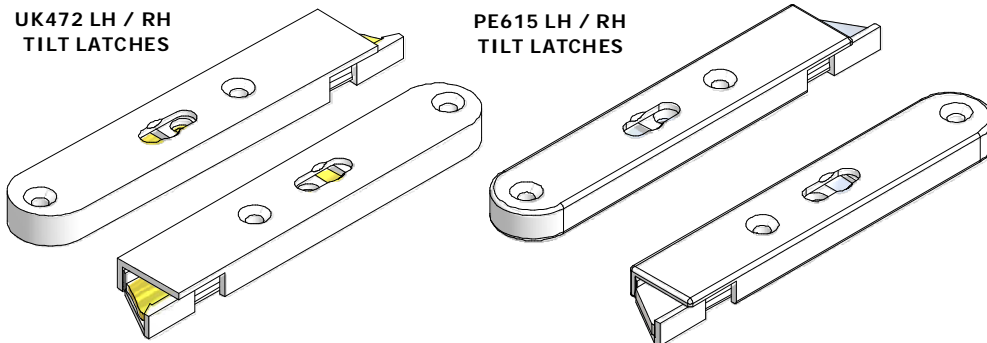
Dimensional References



Applications

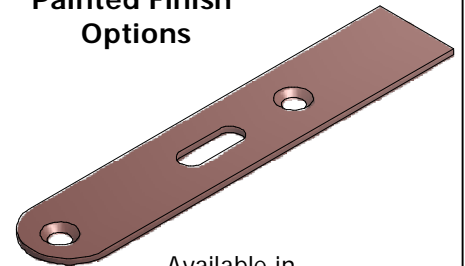
UK472 LH / RH
TILT LATCHES

PE615 LH / RH
TILT LATCHES

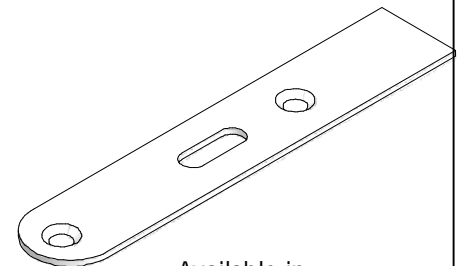


Designed to fit UK472 LH & RH Tilt Latches and PE615 LH & RH Security Tilt Latches

Painted Finish Options

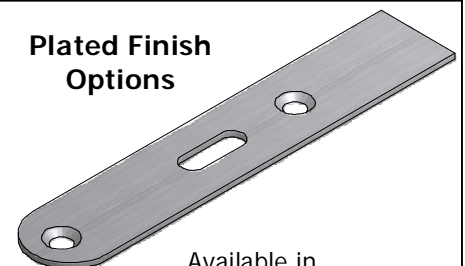


Available in
UK789B - Brown Powder Coat Finish



Available in
UK789HIPCAWHITE - White Powder Coat Finish

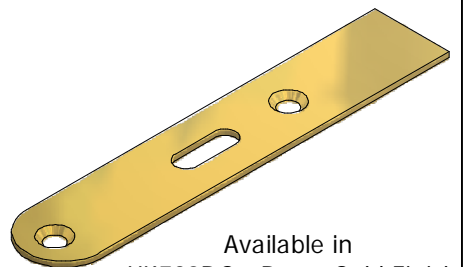
Plated Finish Options



Available in
UK789BS - Brushed Stainless Finish



Available in
UK789CH - Chrome Finish



Available in
UK789DG - Dawn Gold Finish

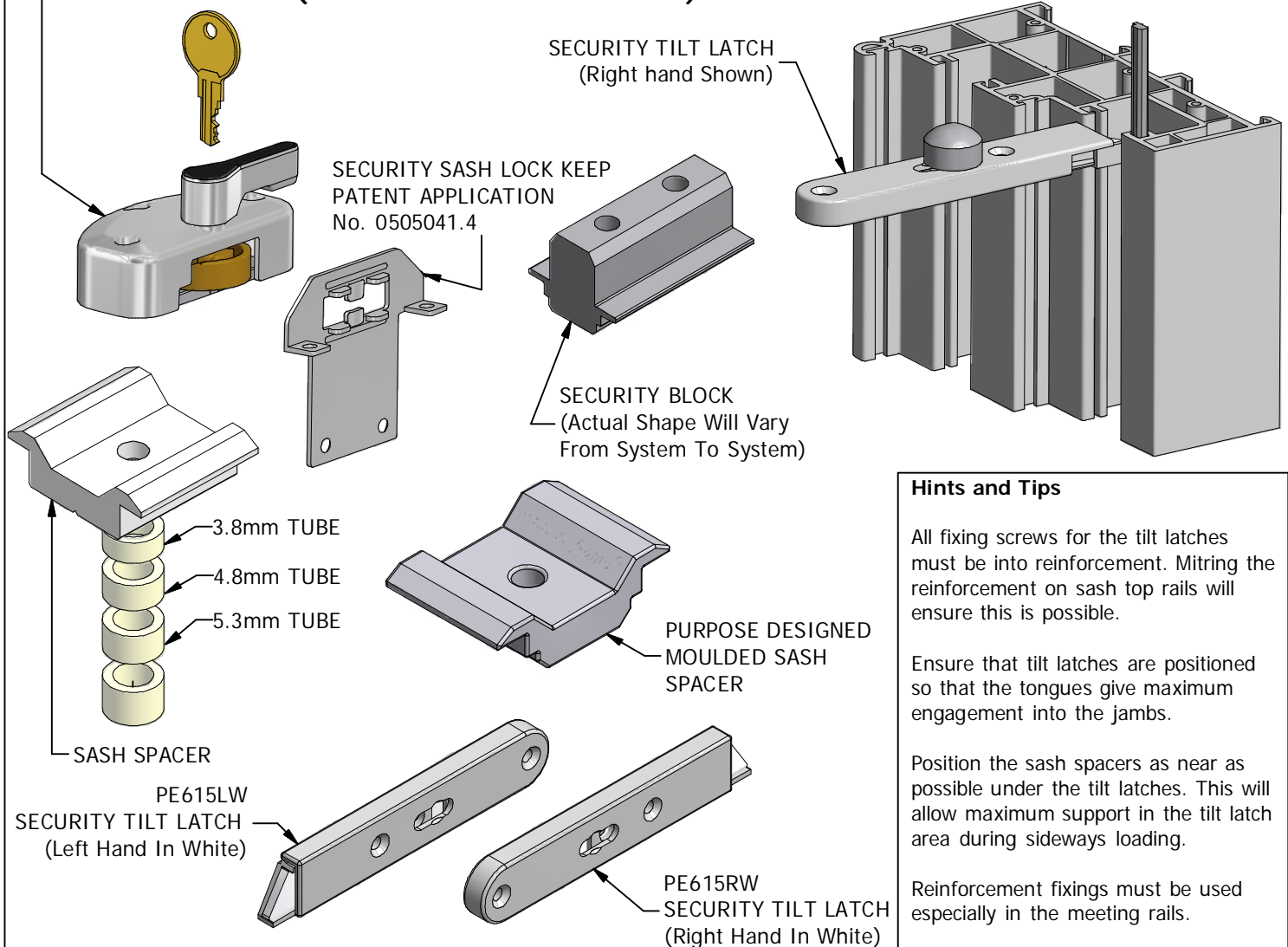
All of the information shown on this data sheet was correct at the time of issue. All information however is subject to change and therefore it is advisable to check with Caldwell Hardware to ensure that you have the latest issue level.

CALDWELL

SOLUTIONS THAT SET NEW STANDARDS

Please refer to datasheets
00513, 00516 & 00517 for
hardware positions.SECURITY SASH LOCK
PATENT APPLICATION
No. 0505041.4

Telephone 024 7643 7900

PAS24 (FORMERLY BS7950) SECURITY PRODUCTS**Hints and Tips**

All fixing screws for the tilt latches must be into reinforcement. Mitring the reinforcement on sash top rails will ensure this is possible.

Ensure that tilt latches are positioned so that the tongues give maximum engagement into the jambs.

Position the sash spacers as near as possible under the tilt latches. This will allow maximum support in the tilt latch area during sideways loading.

Reinforcement fixings must be used especially in the meeting rails.

The rear sash lock fixing hole screw must be long enough so that it is screwed into reinforcement.

The fixings on the sash lock keep must be into reinforcement.

If jamb packers are an interference fit then they will need to be gently tapped into final position. If they are a clearance fit then they will need to be siliconed into position.

Top sash security blocks must be screwed into reinforcement and ideally be positioned 200mm max. in from each end of the sash.

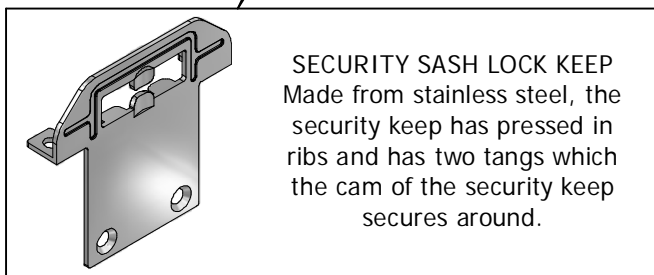
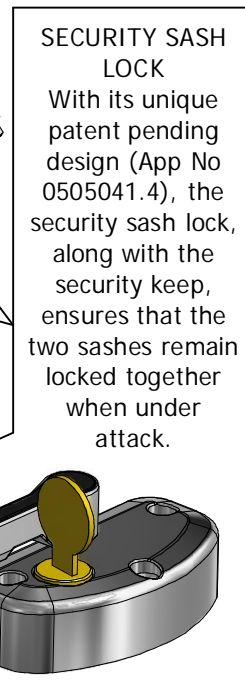
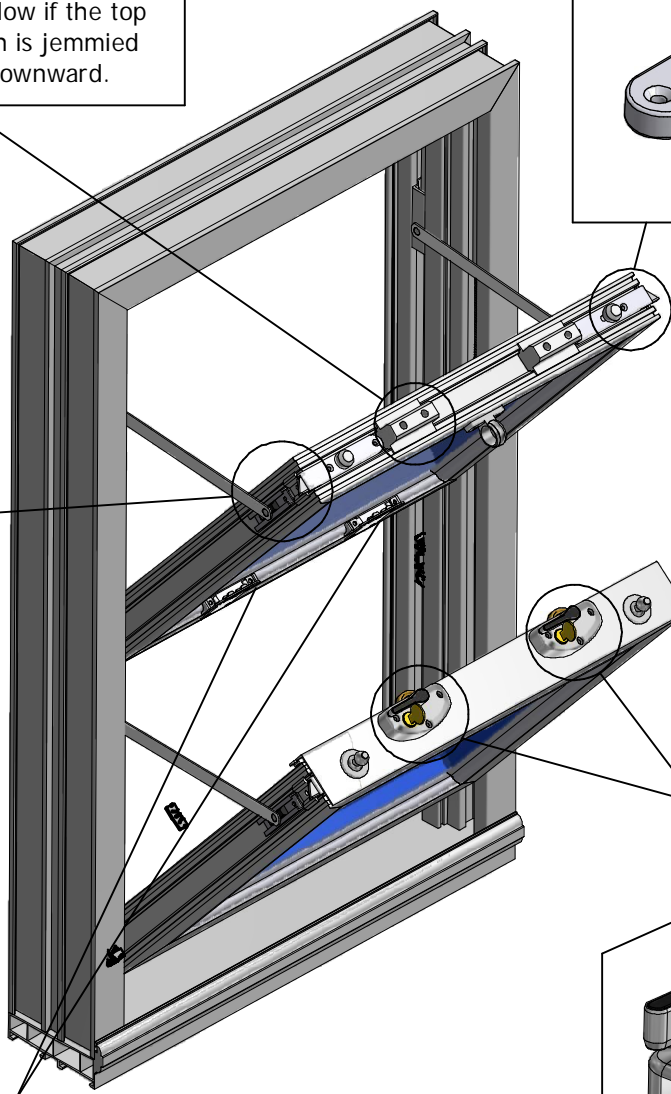
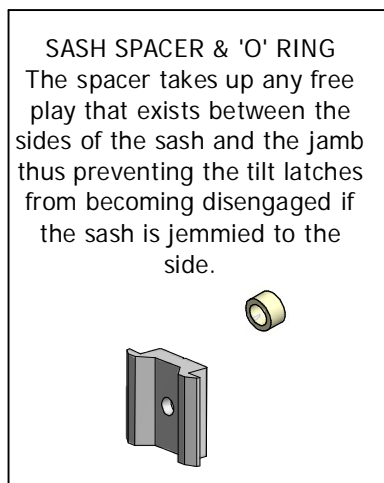
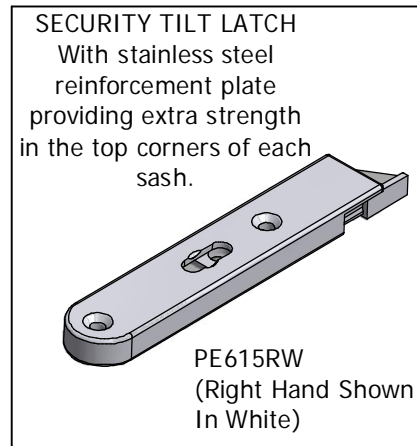
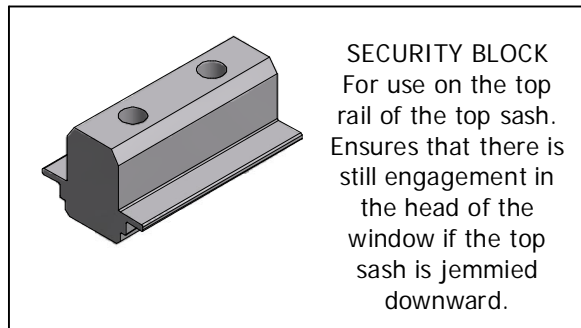
The gap at the sides of the sash and jamb must be between 3 - 3.5 mm.

Window System	Sash Lock	Keep	Tilt Latch Left	Tilt Latch Right	Jamb Packers	Security Block	Sash Spacer
Typical Quantity Per Window	2	2	2	2	2	2	4
Aluplast Ideal	PE7950	UK717	PE615L	PE615R	PE66712	PE66612	KP1009
Comar	PE7950	UK701	PE615L	PE615R	N/A	PE66422	KP1009
Deceunink	PE7950	UK716	PE615L	PE615R	N/A	TBA	KP1007
Eurocell	PE7950	UK717	PE615L	PE615R	PE66512	PE66612	KP1009
Kommerling	TBA	TBA	TBA	TBA	TBA	TBA	PE60512
LB Plastics	TBA	UK717	TBA	TBA	TBA	TBA	PE60512
Masterframe	PE7950	UK715	PE615L	PE615R	PE60412	PE60112	UK659
Plastmo	PE7950	UK717	PE615L	PE615R	PE66512	PE66612	KP1009
Plusplan	PE7950	UK717	PE615L	PE615R	TBA	TBA	KP1010
Rehau Heritage MK2	PE7950	UK715	PE615L	PE615R	PE66512	PE66412	KP1009
Spectus	PE7950	UK760	PE615L	PE615R	PE66712	PE66612	KP1008
Veka	PE7950	UK717	PE615L	PE615R	TBA	PE66612	KP1008
WHS Halo	PE7950	UK715	PE615L	PE615R	N/A	PE66412	KP1009

All of the information shown on this data sheet was correct at the time of issue.
All information however is subject to change and therefore it is advisable to check
with Caldwell Hardware to ensure that you have the latest issue level.

Telephone 024 7643 7900

POSITIONS FOR PAS 24 HARDWARE (FORMERLY BS7950) ON UPVC WINDOWS



All of the information shown on this data sheet was correct at the time of issue. All information however is subject to change and therefore it is advisable to check with Caldwell Hardware to ensure that you have the latest issue level.

CALDWELL

SOLUTIONS THAT SET NEW STANDARDS

Telephone 024 76437900

Cleaning Instructions for Decorative Anodised, Powder Coated & Plated finishes



The decorative finishes on Caldwell Hardware products are of a high quality. Please take care when installing, using tools and sealants etc. To keep finishes in good condition clean with a soft damp cloth only.

ON NO ACCOUNT should any household bleaches, detergents or abrasive polish etc. be used on Caldwell Hardware products.

If in doubt please contact Caldwell Hardware Technical Services department on 02476 437900.



All of the information shown on this data sheet was correct at the time of issue. All information however is subject to change and therefore it is advisable to check with Caldwell Hardware to ensure that you have the latest issue level.

AVAILABILITY

Some products shown in this manual will be subject to a minimum order quantity. All the other components shown in this manual will be available ex-stock.

APPLICABLE STANDARDS

Caldwell Manufacturing operates a BS EN ISO 9001:2000 accredited quality assurance system and all products supplied are controlled through the manufacturing processes in this system.

Corrosion resistance levels of decorative finishes may be noticeably reduced when these products are used in coastal applications or areas with higher than normal levels of pollution.

WARRANTY DETAILS

All vertical slider hardware is supplied with a warranty of 12 months which covers repair or replacement of any products defective due to poor materials or workmanship subject to the products being used and maintained in accordance with our guidelines.

MAINTENANCE

Caldwell vertical slider window furniture are free from routine maintenance and when installed in accordance with our guidelines should continue to perform for many years without problem. Fixings to be tightened as required.

See page 19 in this manual for cleaning instructions for plated finishes.

CALDWELL

SOLUTIONS THAT SET NEW STANDARDS

TROUBLESHOOTING

PROBLEM	CAUSE	SOLUTION
Sash lock does not work with keeper.	Incorrect keep ordered.	See page 4 & page 6 for selecting the correct keep.
Finishes corroding or fading.	Incorrect use of cleaning products, parts subjected to extreme atmospheres.	See page 15.
Holes do not line up on the sash lock with the sash lock plate.	Incorrect sash lock plate.	Re-order the correct plate.
Keeper does not sit correctly on the keep support casting.	Incorrect keep support casting for bead or keep.	Re-order the correct casting.
When the keep is fitted onto the keep support casting and the sash lock is fitted on a sash lock plate they do not line up properly.	Keep packer not used.	Check packaging, as the packer is supplied with the sash lock plate.
Sash lock loose.	Fixing not in reinforcement or incorrect fixings used.	Use sash lock plate to ensure fixings go through reinforcement or fit longer screws.
Keeper loose.	Fixings not into reinforcement.	Use screws that are long enough to reach the reinforcement.

CALDWELL

SOLUTIONS THAT SET NEW STANDARDS VERTICAL SLIDER FURNITURE ORDER FORM

Customer:	Delivery Address:	Date:	Order No.
		Required Delivery Date:	
		Contact:	
		Tel:	Fax:

Sash Locks

Locking Please tick		Non-Locking Please tick		Finishes (Please check availability on finishes before ordering) Please enter quantity next to the finish you require									
KL800 (Key included)	<input type="checkbox"/>	NL800	<input type="checkbox"/>	Chrome		Dawn Gold		Black		Legrand Gold		White	
9600 (9114 Key to be ordered separately)	<input type="checkbox"/>	9400	<input type="checkbox"/>	Chrome		Bronze		Black		White			
9114													
9100	<input type="checkbox"/>	9000	<input type="checkbox"/>	Black		Bronze		White					
17.69	<input type="checkbox"/>	17.19	<input type="checkbox"/>	White									
17.48	<input type="checkbox"/>	17.38	<input type="checkbox"/>	White									
8537	<input type="checkbox"/>	7538	<input type="checkbox"/>	Black		White							
	<input type="checkbox"/>	17.23	<input type="checkbox"/>	White									

Single Stage Keepers

Keep	Finishes (Please check availability on finishes before ordering) Please enter quantity next to the finish you require							
UK227	Black		White					
UK230	Chrome		Bronze		Dawn Gold		White	
UK240	Black		White					
UK444	Bronze		Chrome		Dawn Gold		White	
UK598	Chrome		Dawn Gold		White			
8427	Black		Bronze		Gold		White	
9062	Black		Bronze		Dawn Gold		White	
40400	White							

Double Stage Keepers

Keep	Finishes (Please check availability on finishes before ordering) Please enter quantity next to the finish you require							
UK214	Chrome		Dawn Gold		Gold		White	
UK231	Chrome		Dawn Gold		Gold		White	
UK445	Chrome		Dawn Gold		Gold		White	



SOLUTIONS THAT SET NEW STANDARDS

Block Type Keepers

Keep	Finishes (Please check availability on finishes before ordering)							
	Please enter quantity next to the finish you require							
30459	Chrome		Dawn Gold		Legrand Gold		White	
40380	White							
7545	White							
9415	White							

Sash Lock & Keeper Accessories

Part Code	Finish	Description	Quantity
M00091	White	Keep Support Casting	
UK438	White	Keep Support Casting	
UK543	White	Keep Support Casting	
UK465	White	Sash Lock Plate	
UK466	White	Sash Lock Plate	

Brass Hardware

Part Code	Description	Finishes (Please check availability on finishes before ordering)					
		Please enter quantity next to the finish you require					
UK807	Hook Sash Lift	Lacquered Brass		Chrome		Brushed Nickel	
UK685	Brighton Fastener & Keep	Lacquered Brass		Chrome		Brushed Nickel	
UK806	Ring Sash Lift	Lacquered Brass		Chrome		Brushed Nickel	
UK810	Weekes Catch	Lacquered Brass		Chrome		Brushed Nickel	
UK809	Pole Hook	Lacquered Brass		Chrome		Brushed Nickel	
UK808	5" D Handle	Lacquered Brass		Chrome		Brushed Nickel	
UK801	Fastener & Keep N/Locking	Lacquered Brass		Chrome		Brushed Nickel	
UK802	Fastener & Keep Locking	Lacquered Brass		Chrome		Brushed Nickel	
UK803	Catch & Keep N/Locking	Lacquered Brass		Chrome		Brushed Nickel	
UK804	Catch & Keep Locking	Lacquered Brass		Chrome		Brushed Nickel	

Sash Lifts & Hooks

Part	Finishes (Please check availability on finishes before ordering)									
	Please enter quantity next to the finish you require									
8790	Black		Bronze		Chrome		Dawn Gold		White	
7761	Black		Bronze		Chrome		Dawn Gold		White	
UK624	Brushed Nickel		Chrome		Dawn Gold		White		Legrand Gold	
UK616	Brushed Nickel		Chrome		Dawn Gold		White		Legrand Gold	
UK184	Black		White							
UK596	Chrome		Dawn Gold		White					

THIS ORDER IS ACCEPTED ONLY UNDER OUR CURRENT 'TERMS & CONDITIONS OF SALE' COPIES AVAILABLE UPON REQUEST.

PLEASE SEND VIA EMAIL: SALES@CALDWELL.CO.UK OR FAX: 024 7643 7969

CALDWELL

SOLUTIONS THAT SET NEW STANDARDS VERTICAL SLIDER FURNITURE ORDER FORM

Customer:	Delivery Address:	Date:	Order No.
		Required Delivery Date:	
		Contact:	
		Tel:	Fax:

Sash Locks

Locking Please tick		Non-Locking Please tick		Finishes (Please check availability on finishes before ordering) Please enter quantity next to the finish you require									
KL800 (Key included)	<input type="checkbox"/>	NL800	<input type="checkbox"/>	Chrome		Dawn Gold		Black		Legrand Gold		White	
9600 (9114 Key to be ordered separately)	<input type="checkbox"/>	9400	<input type="checkbox"/>	Chrome		Bronze		Black		White			
9114													
9100	<input type="checkbox"/>	9000	<input type="checkbox"/>	Black		Bronze		White					
17.69	<input type="checkbox"/>	17.19	<input type="checkbox"/>	White									
17.48	<input type="checkbox"/>	17.38	<input type="checkbox"/>	White									
8537	<input type="checkbox"/>	7538	<input type="checkbox"/>	Black		White							
	<input type="checkbox"/>	17.23	<input type="checkbox"/>	White									

Single Stage Keepers

Keep	Finishes (Please check availability on finishes before ordering) Please enter quantity next to the finish you require							
UK227	Black		White					
UK230	Chrome		Bronze		Dawn Gold		White	
UK240	Black		White					
UK444	Bronze		Chrome		Dawn Gold		White	
UK598	Chrome		Dawn Gold		White			
8427	Black		Bronze		Gold		White	
9062	Black		Bronze		Dawn Gold		White	
40400	White							

Double Stage Keepers

Keep	Finishes (Please check availability on finishes before ordering) Please enter quantity next to the finish you require							
UK214	Chrome		Dawn Gold		Gold		White	
UK231	Chrome		Dawn Gold		Gold		White	
UK445	Chrome		Dawn Gold		Gold		White	



SOLUTIONS THAT SET NEW STANDARDS

Block Type Keepers

Keep	Finishes (Please check availability on finishes before ordering)							
	Please enter quantity next to the finish you require							
30459	Chrome		Dawn Gold		Legrand Gold		White	
40380	White							
7545	White							
9415	White							

Sash Lock & Keeper Accessories

Part Code	Finish	Description	Quantity
M00091	White	Keep Support Casting	
UK438	White	Keep Support Casting	
UK543	White	Keep Support Casting	
UK465	White	Sash Lock Plate	
UK466	White	Sash Lock Plate	

Brass Hardware

Part Code	Description	Finishes (Please check availability on finishes before ordering)					
		Please enter quantity next to the finish you require					
UK807	Hook Sash Lift	Lacquered Brass		Chrome		Brushed Nickel	
UK685	Brighton Fastener & Keep	Lacquered Brass		Chrome		Brushed Nickel	
UK806	Ring Sash Lift	Lacquered Brass		Chrome		Brushed Nickel	
UK810	Weekes Catch	Lacquered Brass		Chrome		Brushed Nickel	
UK809	Pole Hook	Lacquered Brass		Chrome		Brushed Nickel	
UK808	5" D Handle	Lacquered Brass		Chrome		Brushed Nickel	
UK801	Fastener & Keep N/Locking	Lacquered Brass		Chrome		Brushed Nickel	
UK802	Fastener & Keep Locking	Lacquered Brass		Chrome		Brushed Nickel	
UK803	Catch & Keep N/Locking	Lacquered Brass		Chrome		Brushed Nickel	
UK804	Catch & Keep Locking	Lacquered Brass		Chrome		Brushed Nickel	

Sash Lifts & Hooks

Part	Finishes (Please check availability on finishes before ordering)									
	Please enter quantity next to the finish you require									
8790	Black		Bronze		Chrome		Dawn Gold		White	
7761	Black		Bronze		Chrome		Dawn Gold		White	
UK624	Brushed Nickel		Chrome		Dawn Gold		White		Legrand Gold	
UK616	Brushed Nickel		Chrome		Dawn Gold		White		Legrand Gold	
UK184	Black		White							
UK596	Chrome		Dawn Gold		White					

THIS ORDER IS ACCEPTED ONLY UNDER OUR CURRENT 'TERMS & CONDITIONS OF SALE' COPIES AVAILABLE UPON REQUEST.

PLEASE SEND VIA EMAIL: SALES@CALDWELL.CO.UK OR FAX: 024 7643 7969

AUTHORITIES



All Caldwell products are manufactured according to BS EN ISO 9001:2008 certified Quality Management Systems.

Where product standards do not exist Caldwell have set in house procedures.

Further information on specific testing is often available from our technical department.



Caldwell are also members of The Council for Aluminium in Building (CAB) which brings together three existing trade associations, the Architectural Aluminium Association, The Patent Glazing Contractors Association and the Aluminium Window Association, into a unified voice.

