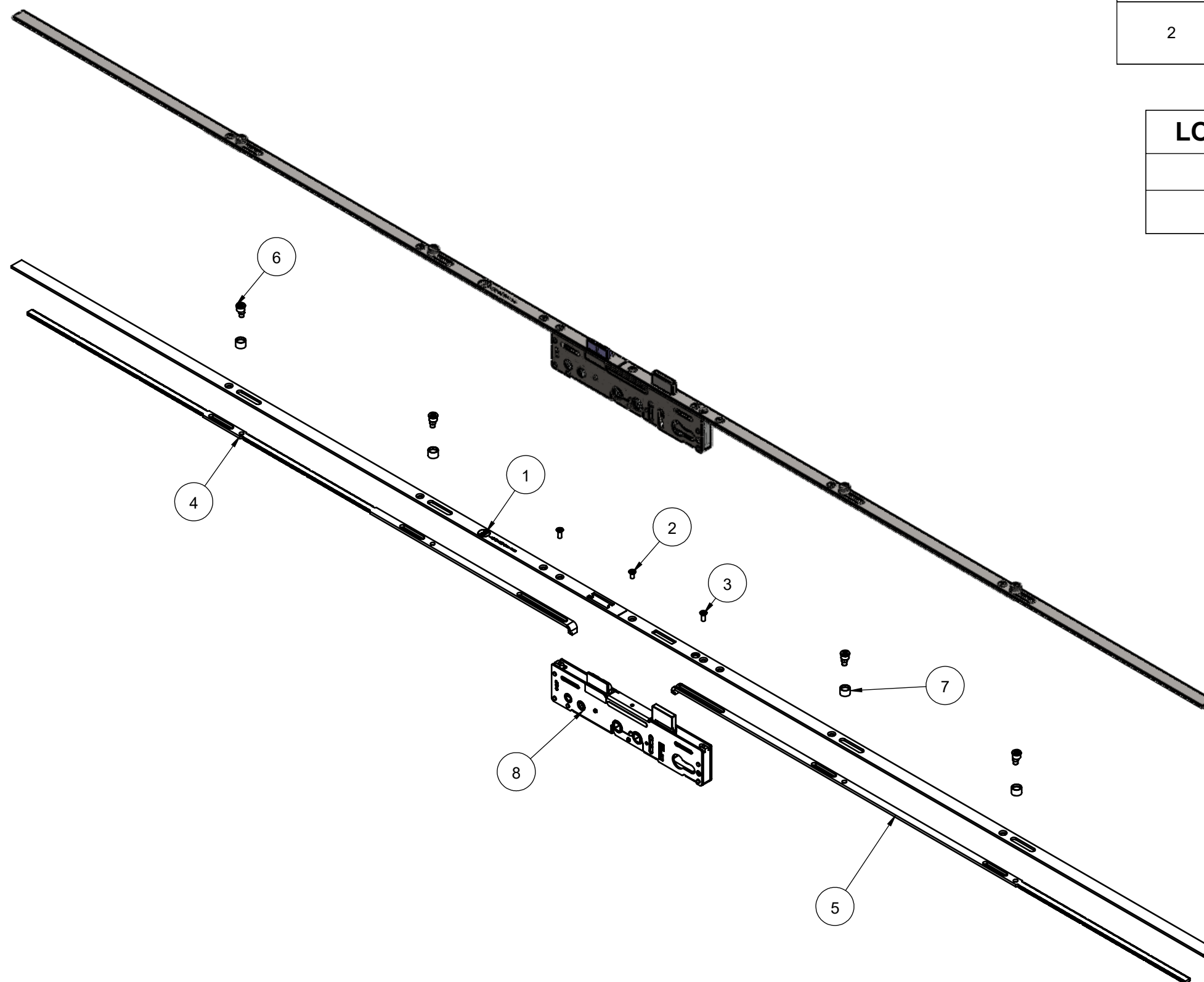


This work is copyright and no part may be reproduced, by any process, nor may any other exclusive right be exercised without the permission of ASSA ABLOY.

Revision	Description	Date
2	CENTRE CHANGED FROM SPRUNG TO UNSPRUNG FOR CUSTOMER (RC)	2020-06-17

LOCK CODE	FINISH
PL320-19	(-19) TRIKLAD
PL320-27	(-27) NATURAL



ITEM NO.	PART NUMBER	DESCRIPTION	qty
1	PL10-C884	FACEPLATE - DEADBOLT CENTRE, 4 ROLLER	1
2	PL10-C180-19	M4 x 8 TORX CSK	1
3	PL10-C181-19	M4 x 10MM T/TITE, TORX SCREW	2
4	PL10-C885-19	TOP ROLLER ROD WITH SERRATIONS	1
5	PL10-C886-19	BOTTOM ROLLER ROD WITH SERRATIONS	1
6	PL10-C031-19	ROLLER PIVOT PIN	4
7	PL10-C032-19	ROLLER (FOR LOCKS)	4
8	PL10-SA130F	35MM BACKSET UN-SPRUNG CENTRE DEADBOLT LOCK	1

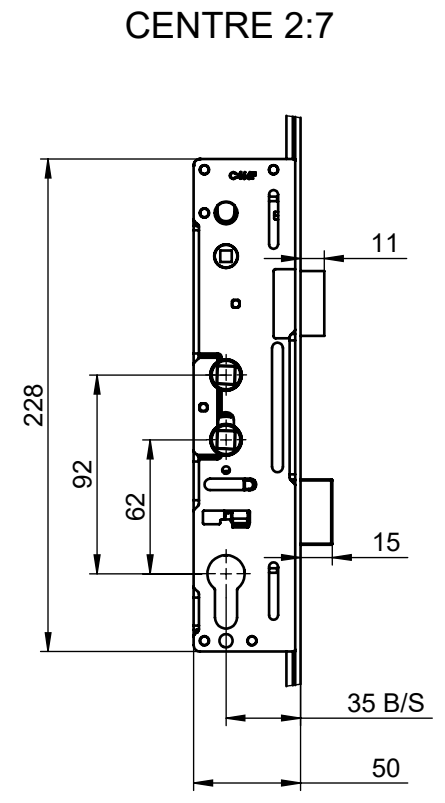
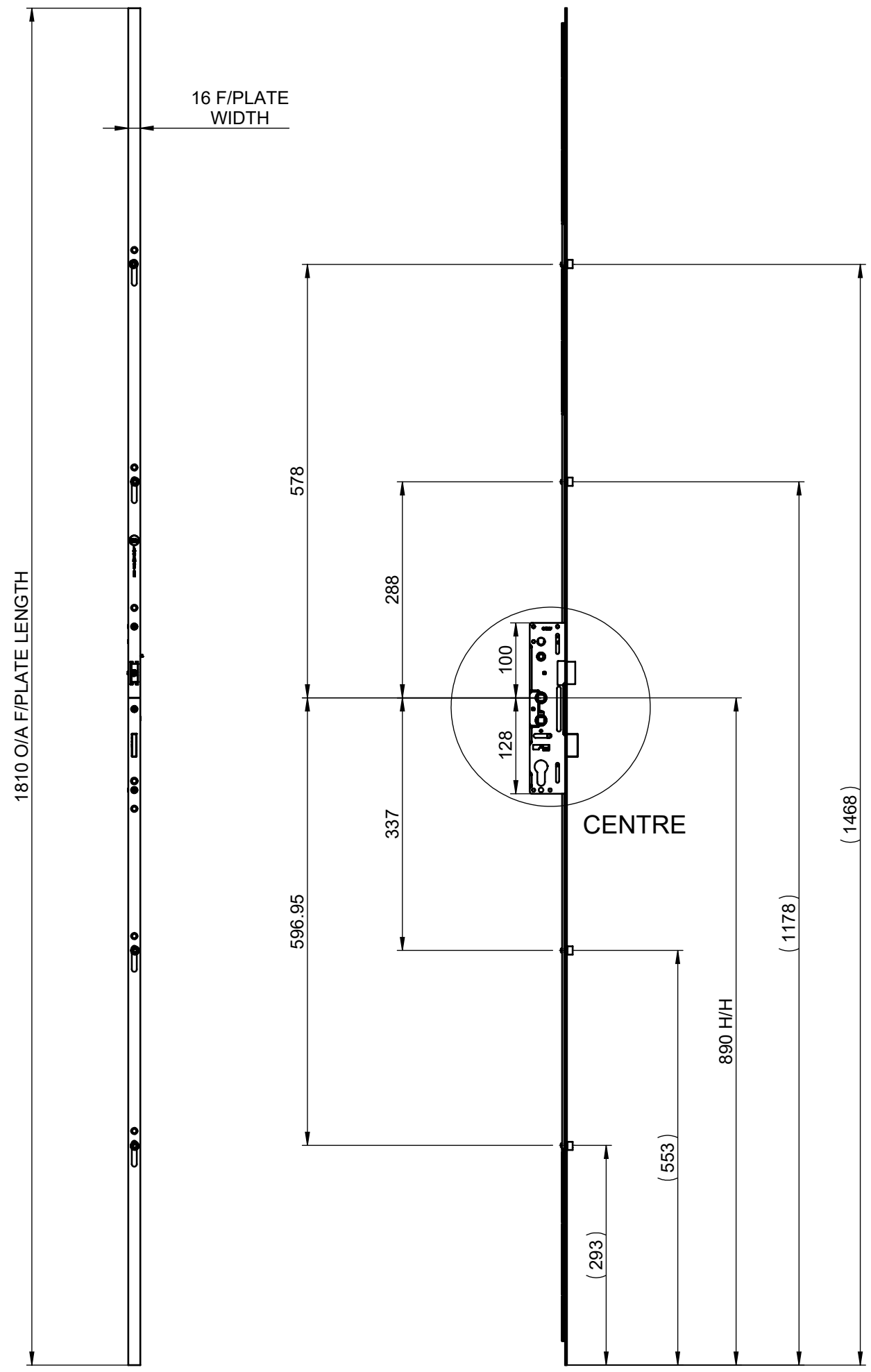
Surface treatment: SEE INDIVIDUAL DRAWINGS		Material: SEE INDIVIDUAL DRAWINGS		General tolerance: LIN: +/- 0.1mm ANG: +/- 0 Deg 30 Min	
Volume: 190512.69 mm ³	Mass: 1440.01 gram	Surface area: 193809.12 mm ²	Created (YYYY-MM-DD): 2020-06-11	Designed by: RC	Drawn by: RC
ASSA ABLOY ASSA ABLOY UK			Industrial Lock (P1428-3)		Scale: 1:5 (A3)
			UNSPRUNG DEADBOLT CENTRE 35 B/S, 4 ROLLER LOCK		Projection:
Alternate ID PL320				Document ID D001116421-000	Rev.: 2

Approved 2020-06-17

Configuration:Default

SHEET 1 OF 2

This work is copyright and no part may be reproduced, by any process, nor may any other exclusive right be exercised without the permission of ASSA ABLOY.



- DEADBOLT CENTRE
- UNSPRUNG
- TWIN FOLLOWER

Surface treatment: SEE INDIVIDUAL DRAWINGS			Material: SEE INDIVIDUAL DRAWINGS			General tolerance: LIN: +/- 0.1mm ANG: +/- 0 Deg 30 Min	
Volume: 190512.69 mm ³	Mass: 1440.01 gram	Surface area: 193809.12 mm ²	Created (YYYY-MM-DD): 2020-06-11	Designed by: RC	Drawn by: RC	Scale: 1:7 (A3)	Projection:
ASSA ABLOY ASSA ABLOY UK			Industrial Lock (P1428-3)		Alternate ID PL320		Rev.: 2
			UNSPRUNG DEADBOLT CENTRE 35		Document ID D001116421-000		
			B/S, 4 ROLLER LOCK				

Approved 2020-06-17

Configuration:Default

SHEET 2 OF 2