



DEFENDER STANDARD

TYPE

STANDARD DUTY FRICTION HINGE

BENEFIT

Tough with high performance

10
YEAR GUARANTEE
12

- Improved weather sealing and draught proofing performance from extended enclosed end cap and asymmetrical vent arm form to meet BS 6375-1
- Long and reliable working life tested to 30,000 cycles
- Patented lipped slider for enhanced smooth operation
- Easy friction adjustment without metal to metal contact
- Unique patented robust cam friction device eliminates any risk of friction screw misuse
- Available in 430* as standard or austenitic 304* stainless steel for enhanced corrosion resistance
- Available with built in restrictors
- 10 or 12 year guarantee dependant on material selection (details available on request)



austenitic
304
430
ferritic

* Standard ferritic (was 430) to BS EN 10088-2 Grade 1.4016 or Austenitic (was 304) stainless steel to BS EN 10088-2 Grade 1.4301 for enhanced corrosion resistance.

◆ Timber variant only available in 13mm stack height in 430* or austenitic 304* stainless steel



◀ **SMOOTH OPERATION**
Thermoplastic components for long life



▼ **LONG LIFE**
Defender hinges have been proven to 30,000 cycles



▲ **TIMBER VARIANT AVAILABLE***



Manufactured in the UK

Securistyle

Kingsmead Industrial Estate, Princess Elizabeth Way
Cheltenham, Gloucestershire GL51 7RE, UK

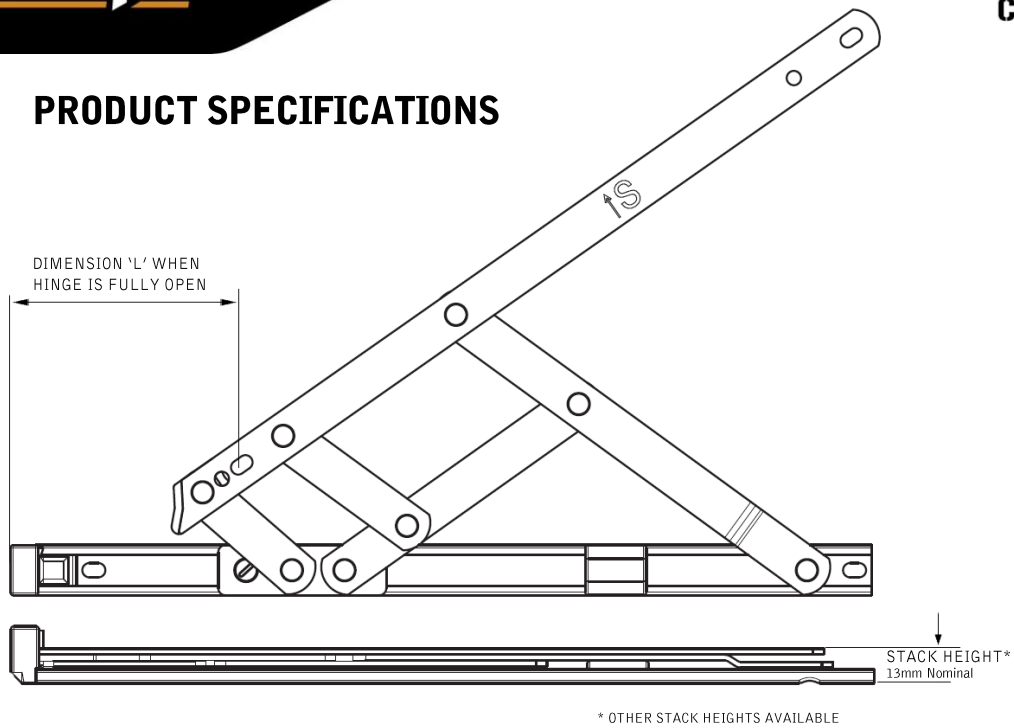
Tel: +44 (0) 1242 221200

Fax: +44 (0) 1242 228194/520828

E-mail: info@securistyle.co.uk

Website: www.securistyle.co.uk

PRODUCT SPECIFICATIONS



10
YEAR GUARANTEE
12

Hinge Size (Top Hung) (in/mm)	Max Vent Weight (kg/lb)	Min Vent Height (mm/in)	Max Vent Height (mm/in)	Hinge Dimension 'L' (mm/in)	Opening Angle (+/- 2.5°)
6/159	10/22	150/6	300/12	63/2.48	50°
8/209	12/26	200/8	350/14	119/4.69	65°
10/259	16/35	275/11	400/16	131/5.15	80°
12/310	20/44	350/14	550/22	164/6.45	80°
16/412	21/46	500/20	780/31	239/9.4/	80°
20/513	26/57	700/28	1100/43	215/8.46	50°
24/615	40/88	850/33	1300/51	156/6.14	37.5°
H24/615	50/110	850/33	1500/59	122.9/4.84	32°

Hinge Size (Side Hung)	Min Vent Width	Max Vent Width	Min Vent Width	Max Vent Width	Opening Angle (+/- 2.5°)
8/209	18/39	200/8	400/15.7	183/7.20	65°
12/310	22/48	300/12	600/23.6	172/6.77	60°
16/412	24/53	400/16	700/27.6	170/6.69	60°

- Slot hole slot format will provide the ability to adjust the vent more easily
- Defender Highline variants for deeper profiles with cavities between 16mm and 18mm
- Defender Slimline; engineered for narrower hardware channels
- Drilling jigs for all sizes are available to order
- To meet the ever increasing demand for larger windows the EDTH24 is available for large heavy top hung vents

Note: As with all types of friction hinges, friction cannot be provided until the slider moves, therefore when limiting the opening of top hung vents to angles of 10° or less a separate device may be required to prevent the window from closing.

When fitting the EDTH24 and its variants pull in blocks/ locking wedges/ snubbers must be fitted 100mm from each corner and then across the top as required to aid weather sealing.

For part codes and further information please visit
www.securistyle.co.uk



BS EN 1509001
Cert No. FM611016

Due to our policy of continual improvement we reserve the right to alter specifications without notice. It is the responsibility of the window manufacturer to ensure that the finished window meets the required performance and safety specification. All transactions are subject to our standard conditions of supply, which are available on request.

Ref: DSSD

Securistyle

Kingsmead Industrial Estate, Princess Elizabeth Way
Cheltenham, Gloucestershire GL51 7RE, UK

Tel: +44 (0) 1242 221200

Fax: +44 (0) 1242 228194/520828

E-mail: info@securistyle.co.uk

Website: www.securistyle.co.uk